



## Replacement Part | Specification

Model (SKU)

**PT100-515**

PermaTile™ Series Rough-In  
24" On Center 'Z' Tile Wall Anchor  
For 36" & 42" Grab Bars

### Applicable Features & Installation Types

- Stainless steel construction with stabilizing bracket and protective thumb screws
- Includes (2) Self Drilling Screws (C200-051)
- Mortar-based installation system (No mastic or organic adhesives allowed)
- Wall anchor configured specifically for TileWare accessories
- Refer to installation instructions before use
- Anchor exceeds ADA 250 lb threshold
- BUY US ONCE FOR LIFE



### For Tile

**T**

Tile Thickness Range  
5/32" – 1/2" (4mm – 13mm)

- Victoria™ Series
  - Grab Bars
    - T200-031
    - T200-032
    - T200-041
    - T200-042

### Mates with Trim Only

**TX**

Tile Thickness Range  
5/32" – 1/2" (4mm – 13mm)

- Victoria™ Series
  - Grab Bars
    - TX200-031
    - TX200-032
    - TX200-041
    - TX200-042



p: 828-322-9273 | f: 828-304-1076  
tilewareproducts.com | info@tilewareproducts.com

page 1 of 2  
TW-F02-210-PT100 | REV: 8-12-20

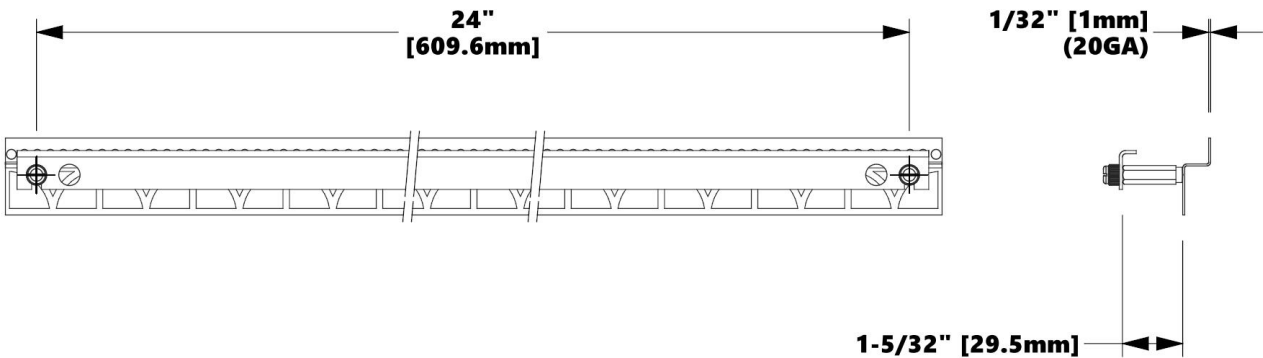


**Replacement Part | Specification**

Model (SKU)

**PT100-515**

PermaTile™ Series Rough-In  
 24" On Center 'Z' Tile Wall Anchor  
 For 36" & 42" Grab Bars



**Product Dimensions** (units are in both inches and mm)

**Weight**

0.842 lb / 0.382 kg

819



p: 828-322-9273 | f: 828-304-1076  
 tilewareproducts.com | info@tilewareproducts.com

page 2 of 2  
 TW-F02-210-PT100 | REV: 8-12-20