



**Replacement Part | Specification**

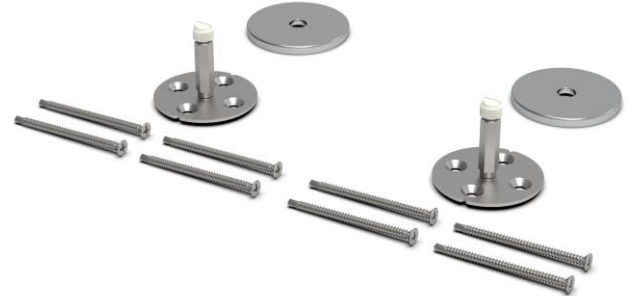
Model (SKU)

**GC-GBAR-Finish**

Grab Bar Conversion Kit  
Tile To Gypsum Wallboard

**Applicable Features & Installation Types**

- Stainless steel construction
- For converting tile grab bars to gypsum wallboard
- Requires blocking behind the wall
- BUY US ONCE FOR LIFE



**Color (Metal Finish)**

- PC Polished Chrome
- BN Brushed Nickel
- ORB Oil Rub Bronze
- BLK Matte Black

**For Drywall**

**G**

Gypsum Wallboard Surfaces

○ **Victoria™ Series**

▪ **Grab Bars**

- G200-001, G200-002**
- G200-011, G200-012**
- G200-021, G200-022**
- G200-031, G200-032**
- G200-041, G200-042**
- G201-011, G201-012**
- G201-021, G201-022**



p: 828-322-9273 | f: 828-304-1076  
tilewareproducts.com | info@tilewareproducts.com

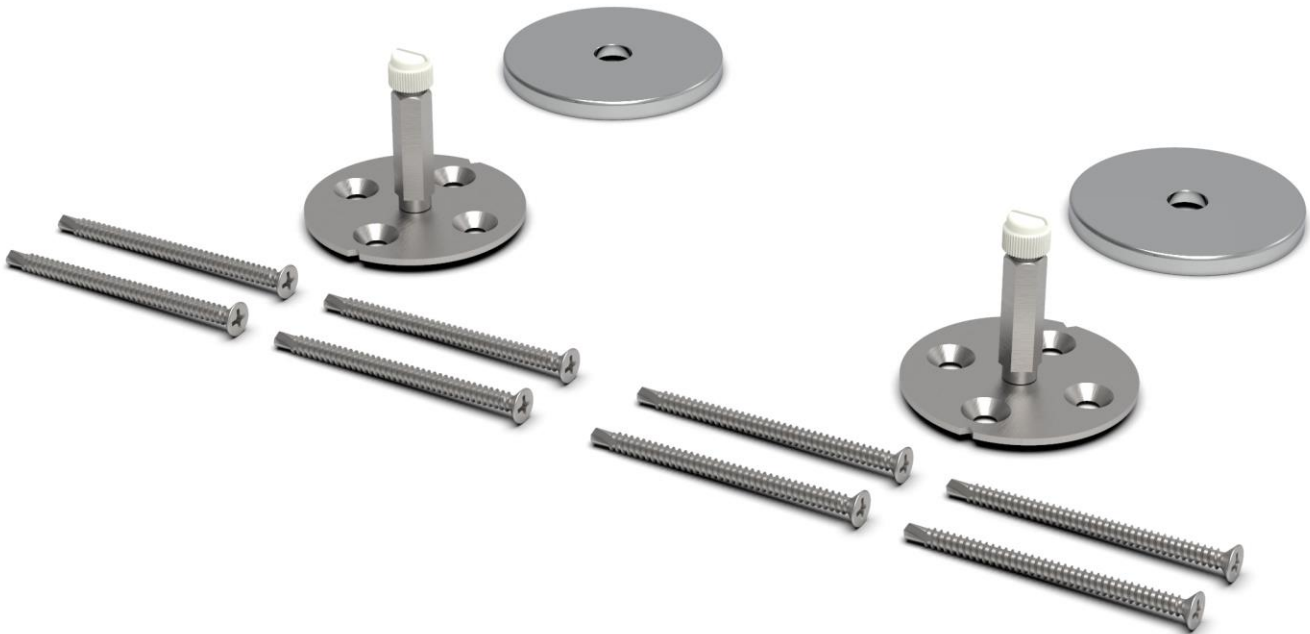
page 1 of 2  
TW-F02-015 | REV: 12-8-20

**Replacement Part | Specification**

Model (SKU)

**GC-GBAR-Finish**

Grab Bar Conversion Kit  
Tile To Gypsum Wallboard



**Product Dimensions** *n/a*

**Weight**

**0.700 lb / 0.318 kg**

**n/a**