

**Replacement Part | Specification**

Model (SKU)

**C232-003-Finish**

Cone Hook Sleeve

**Applicable Features & Installation Types**

- Stainless steel construction
- BUY US ONCE FOR LIFE



**Color (Metal Finish)**

- PC Polished Chrome
- BN Brushed Nickel
- ORB Oil Rub Bronze

**For Tile**

**T**

Tile Thickness Range  
5/32" – 1/2" (4mm – 13mm)

- Promessa™ Series
  - Hooks
    - T101-111
    - T101-112

**For Trim Only**

**TX**

Tile Thickness Range  
5/32" – 1/2" (4mm – 13mm)

- Promessa™ Series
  - Baskets
    - TX101-111
    - TX101-112

**For Drywall**

**G**

Gypsum Wallboard Surfaces

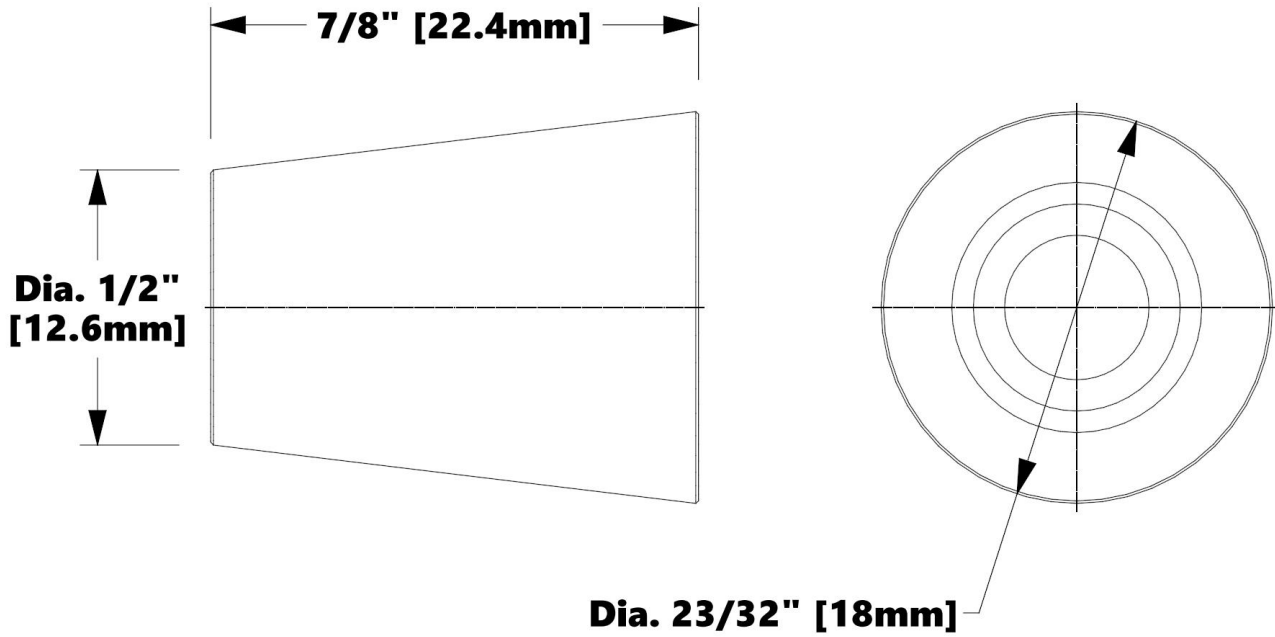
- Promessa™ Series
  - Baskets
    - G101-111
    - G101-112

**Replacement Part | Specification**

Model (SKU)

**C232-003-Finish**

Cone Hook Sleeve



**Product Dimensions** (units are in both inches and mm)

**Weight**

**0.054 lb / 0.024 kg**

**379A**