

Replacement Part | Specification

Model (SKU)

C230-023-Finish

1-1/4" Cover Washer

Applicable Features & Installation Types

- Stainless steel construction
- BUY US ONCE FOR LIFE



Color (Metal Finish)

- PC Polished Chrome
- BN Brushed Nickel
- ORB Oil Rub Bronze
- BLK Matte Black

For Tile

T

Tile Thickness Range
5/32" – 1/2" (4mm – 13mm)

- **Victoria™ Series**
 - **Grab Bars**
 - T200-001, T200-002**
 - T200-011, T200-012**
 - T200-021, T200-022**
 - T200-031, T200-032**
 - T200-041, T200-042**
 - T201-011, T201-012**
 - T201-021, T201-022**

For Trim Only

TX

Tile Thickness Range
5/32" – 1/2" (4mm – 13mm)

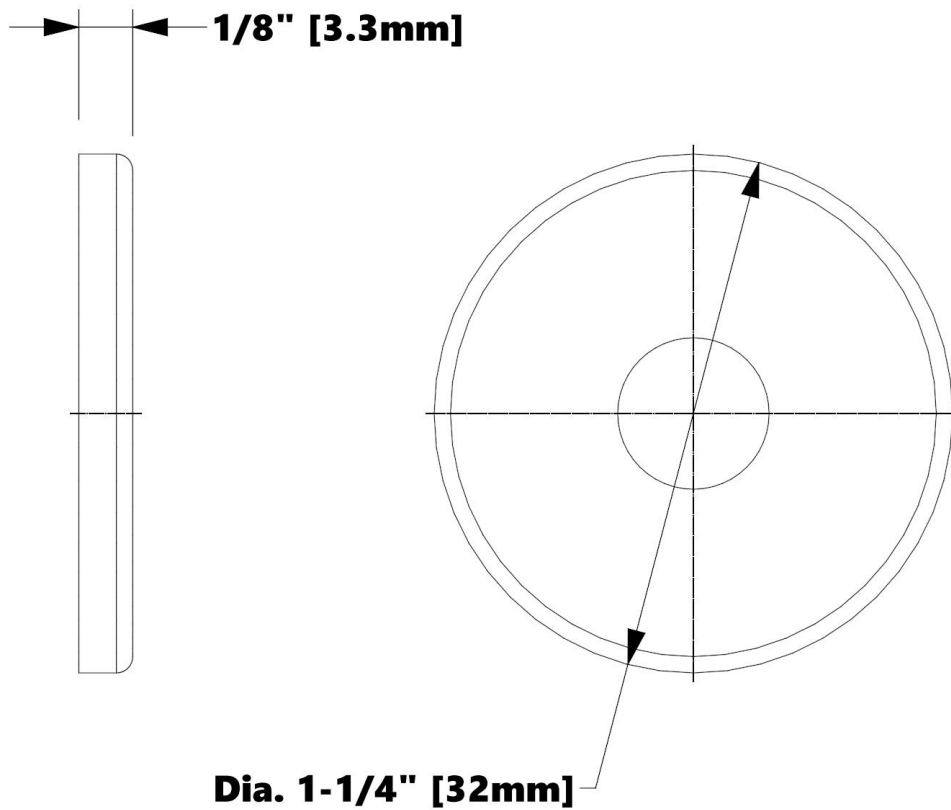
- **Victoria™ Series**
 - **Grab Bars**
 - TX200-001, TX200-002**
 - TX200-011, TX200-012**
 - TX200-021, TX200-022**
 - TX200-031, TX200-032**
 - TX200-041, TX200-042**
 - TX201-011, TX201-012**
 - TX201-021, TX201-022**

Replacement Part | Specification

Model (SKU)

C230-023-Finish

1-1/4" Cover Washer



Product Dimensions (units are in both inches and mm)

Weight

0.042 lb / 0.019 kg

364A