

**Replacement Part | Specification**

Model (SKU)

**C220-021**

Rotating Bushing

**Applicable Features & Installation Types**

- Stainless steel construction
- BUY US ONCE FOR LIFE



**Color (Finish)**

- Plain

**For Tile**

**T**

Tile Thickness Range  
5/32" – 1/2" (4mm – 13mm)

○ Victoria™ Series

▪ Grab Bars

- T200-001
- T200-002
- T200-011
- T200-012
- T200-021
- T200-022
- T200-031
- T200-032
- T200-041
- T200-042
- T201-011
- T201-012
- T201-021
- T201-022

**For Trim Only**

**TX**

Tile Thickness Range  
5/32" – 1/2" (4mm – 13mm)

○ Victoria™ Series

▪ Grab Bars

- TX200-001
- TX200-002
- TX200-011
- TX200-012
- TX200-021
- TX200-022
- TX200-031
- TX200-032
- TX200-041
- TX200-042
- TX201-011
- TX201-012
- TX201-021
- TX201-022

**For Drywall**

**G**

Gypsum Wallboard Surfaces

○ Victoria™ Series

▪ Grab Bars

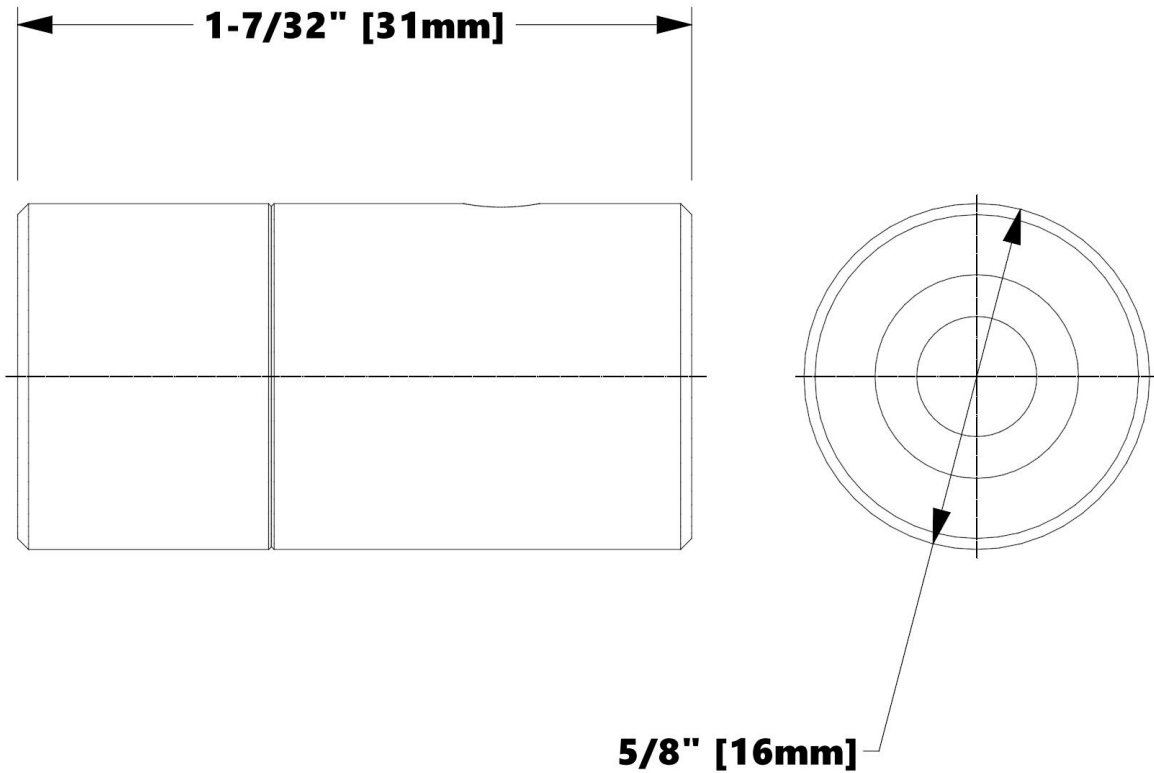
- G200-001
- G200-002
- G200-011
- G200-012
- G200-021
- G200-022
- G200-031
- G200-032
- G200-041
- G200-042
- G201-011
- G201-012
- G201-021
- G201-022

**Replacement Part | Specification**

Model (SKU)

**C220-021**

Rotating Bushing



**Product Dimensions** (units are in inches)

**Weight**

**0.072 lb / 0.033 kg**

**600**