



Replacement Part | Specification

Model (SKU)

C200-030

#10-24 x 7/16" Phillips Drive
Oval Head Machine Screw

Applicable Features & Installation Types

- Stainless steel construction with threadlocker
- For Oil Rub Bronze (ORB) Foot Props
- BUY US ONCE FOR LIFE



Color (Finish)

- Black Oxide

For Tile

T

Tile Thickness Range
5/32" – 1/2" (4mm – 13mm)

- Victoria™ Series
 - Foot Props
 - T210-001**

For Trim Only

TX

Tile Thickness Range
5/32" – 1/2" (4mm – 13mm)

- Victoria™ Series
 - Foot Props
 - TX210-001**

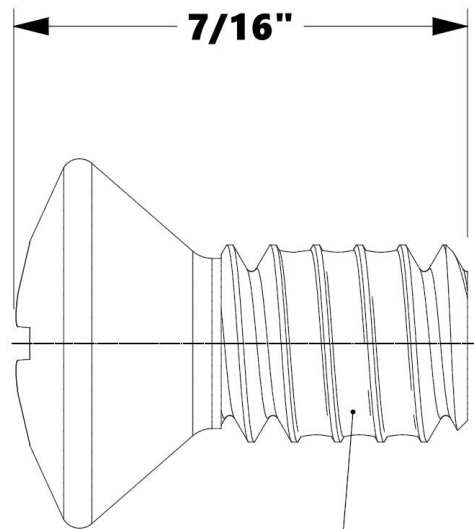
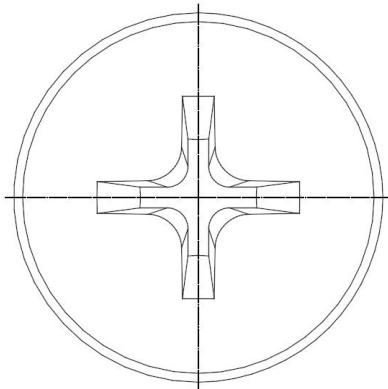


Replacement Part | Specification

Model (SKU)

C200-030

#10-24 x 7/16" Phillips Drive
Oval Head Machine Screw



Threadlocker

Product Dimensions (units are in inches)

Weight

0.004 lb / 0.002 kg

373A