

Replacement Part | Specification

Model (SKU)

C200-013

#8-32 x 5/8" Phillips Drive
Pan Head Machine Screw

Applicable Features & Installation Types

- Stainless steel construction with threadlocker
- BUY US ONCE FOR LIFE



Color (Finish)

- Plain

For Tile

T

Tile Thickness Range
5/32" – 1/2" (4mm – 13mm)

- Promessa™ Series
 - Hooks
 - T101-111
 - T101-112
 - T101-211
 - T101-212
 - T101-311
 - T101-312
 - Towel Bars
 - T102-011
 - T102-012
 - Toilet Paper Holders
 - T105-011
 - T105-012

For Trim Only

TX

Tile Thickness Range
5/32" – 1/2" (4mm – 13mm)

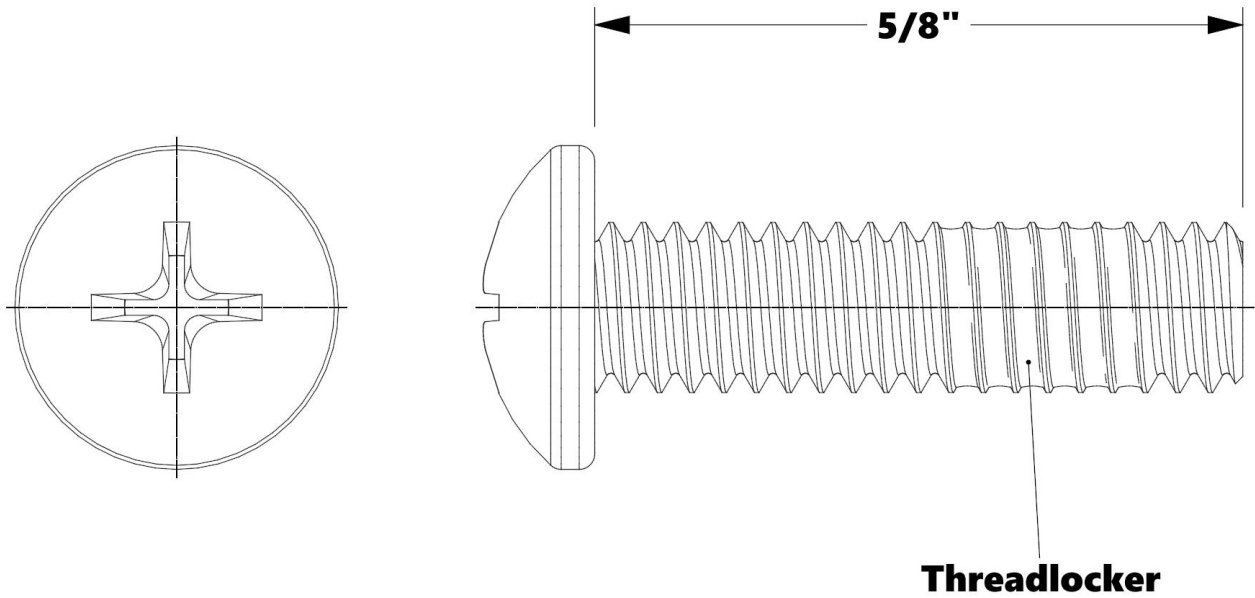
- Promessa™ Series
 - Hooks
 - TX101-111
 - TX101-112
 - TX101-211
 - TX101-212
 - TX101-311
 - TX101-312
 - Towel Bars
 - TX102-011
 - TX102-012
 - Toilet Paper Holders
 - TX105-011
 - TX105-012

Replacement Part | Specification

Model (SKU)

C200-013

#8-32 x 5/8" Phillips Drive
Pan Head Machine Screw



Product Dimensions (units are in both inches and mm)

Weight

0.005 lb / 0.002 kg

166