



Replacement Part | Specification

Model (SKU)

A233-241-Finish

ADA Combination 24"
Curved Grab Bar (Contemporary)

Applicable Features & Installation Types

- Stainless steel construction
- Mounts with TileWare anchoring systems only
- BUY US ONCE FOR LIFE



Codes / Standards Compliance

Meets or exceeds the following at date of manufacture:

- All applicable US Federal and State material regulations
- ASTM F446 Standards and conforms to ADA guidelines

Color (Metal Finish)

- PC Polished Chrome
- BN Brushed Nickel
- ORB Oil Rub Bronze

For Tile

T

Tile Thickness Range
5/32" – 1/2" (4mm – 13mm)

- Victoria™ Series
 - Grab Bars
 - T201-021**

For Trim Only

TX

Tile Thickness Range
5/32" – 1/2" (4mm – 13mm)

- Victoria™ Series
 - Grab Bars
 - TX201-021**

For Drywall

G

Gypsum Wallboard Surfaces

- Victoria™ Series
 - Grab Bars
 - G201-021**

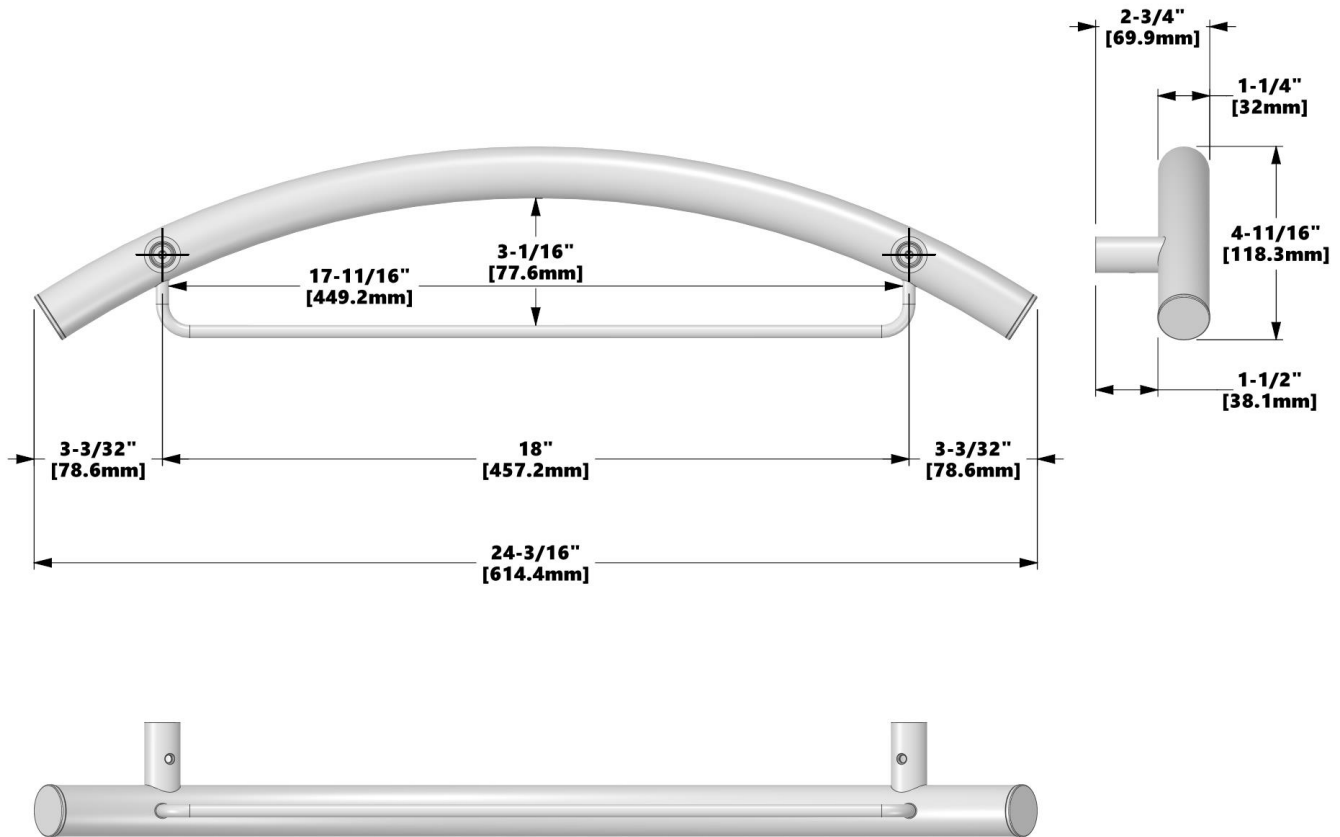


Replacement Part | Specification

Model (SKU)

A233-241-Finish

ADA Combination 24"
Curved Grab Bar (Contemporary)



Meets or exceeds
ASTM F446 standards and
conforms to ADA guidelines

Product Dimensions (units are in both inches and mm)

Weight

2.035 lb / 0.923 kg

513A