



Replacement Part | Specification

Model (SKU)

A232-242-Finish

ADA 24" Curved Grab Bar
(Traditional)

Applicable Features & Installation Types

- Stainless steel construction
- Mounts with TileWare anchoring systems only
- BUY US ONCE FOR LIFE



Codes / Standards Compliance

Meets or exceeds the following at date of manufacture:

- All applicable US Federal and State material regulations
- ASTM F446 Standards and conforms to ADA guidelines

Color (Metal Finish)

- PC Polished Chrome
- BN Brushed Nickel
- ORB Oil Rub Bronze
- BLK Matte Black

For Tile

T

Tile Thickness Range
5/32" – 1/2" (4mm – 13mm)

- Victoria™ Series
 - Grab Bars
 - T201-012**

For Trim Only

TX

Tile Thickness Range
5/32" – 1/2" (4mm – 13mm)

- Victoria™ Series
 - Grab Bars
 - TX201-012**

For Drywall

G

Gypsum Wallboard Surfaces

- Victoria™ Series
 - Grab Bars
 - G201-012**

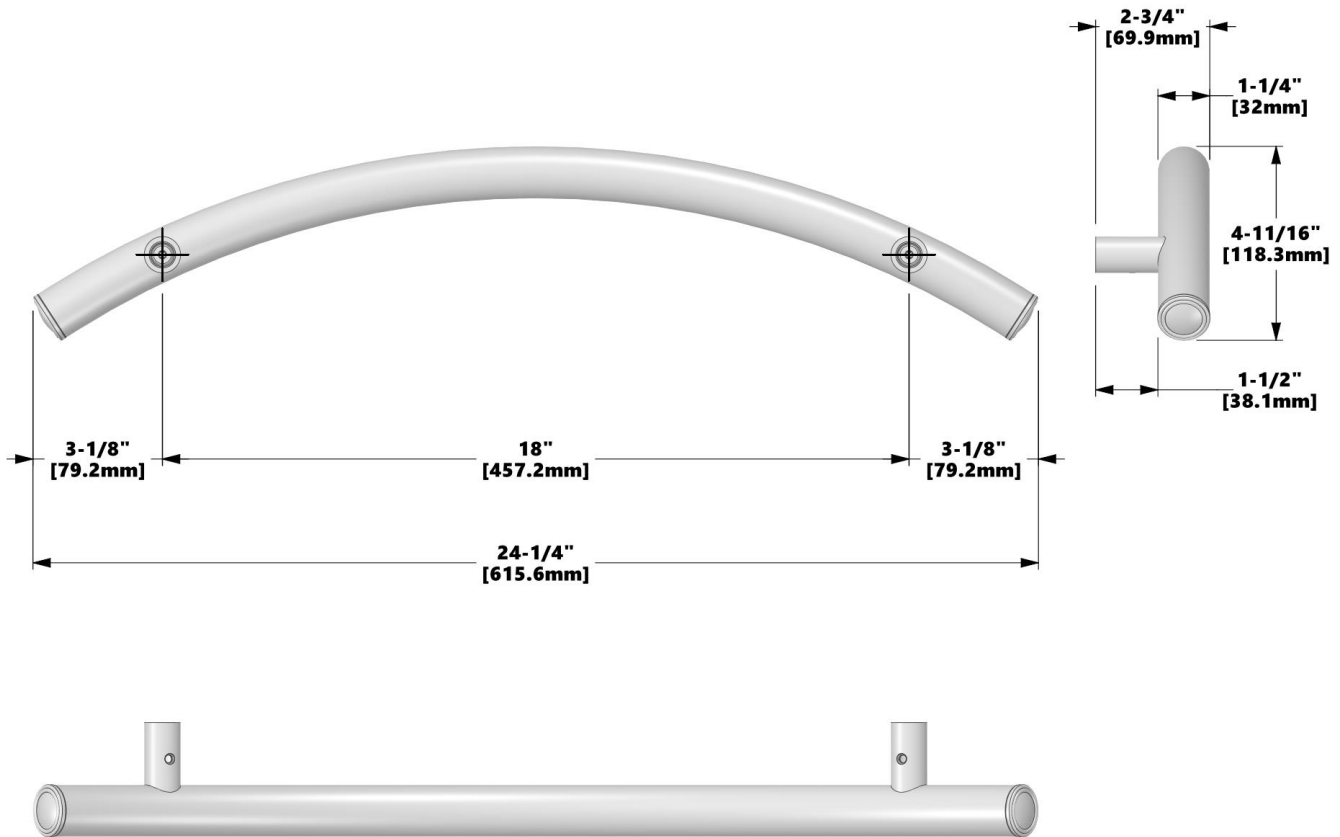


Replacement Part | Specification

Model (SKU)

A232-242-Finish

ADA 24" Curved Grab Bar
(Traditional)



Meets or exceeds
ASTM F446 standards and
conforms to ADA guidelines

Product Dimensions (units are in both inches and mm)

Weight

1.554 lb / 0.705 kg

512A