



Replacement Part | Specification

Model (SKU)

A230-002-Finish

Paper Holder

Applicable Features & Installation Types

- Stainless steel construction with plastic sleeve bearings and concealed stainless steel spring
- BUY US ONCE FOR LIFE



Color (Metal Finish)

- BS Brushed Stainless
- ORB Oil Rub Bronze

For Tile

T

Tile Thickness Range
5/32" – 1/2" (4mm – 13mm)

- Promessa™ Series
 - Toilet Paper Holders
 - T105-011
 - T105-012

For Trim Only

TX

Tile Thickness Range
5/32" – 1/2" (4mm – 13mm)

- Promessa™ Series
 - Toilet Paper Holders
 - TX105-011
 - TX105-012

For Drywall

G

Gypsum Wallboard Surfaces

- Promessa™ Series
 - Toilet Paper Holders
 - G105-011
 - G105-012

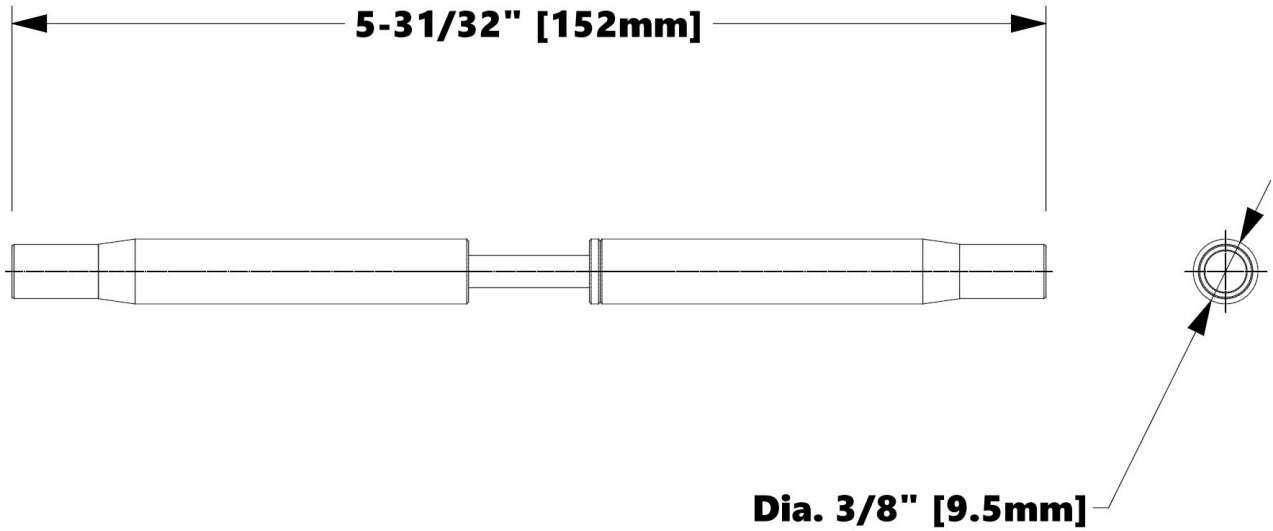


Replacement Part | Specification

Model (SKU)

A230-002-Finish

Paper Holder



Product Dimensions (units are in both inches and mm)

Weight

0.127 lb / 0.058 kg

662