

Replacement Part | Specification

Model (SKU)

A008185

#8-32 x 9/16" Phillips Drive
Flat Head Machine Screw

Applicable Features & Installation Types

- Stainless steel construction with threadlocker
- BUY US ONCE FOR LIFE



Color (Finish)

- Plain

For Tile

T

Tile Thickness Range
5/32" – 1/2" (4mm – 13mm)

- Promessa™ Series
 - Baskets
 - T100-001
 - T100-002
 - T100-003
 - T100-004
 - T100-030
 - T100-050
 - T100-060

For Trim Only

TX

Tile Thickness Range
5/32" – 1/2" (4mm – 13mm)

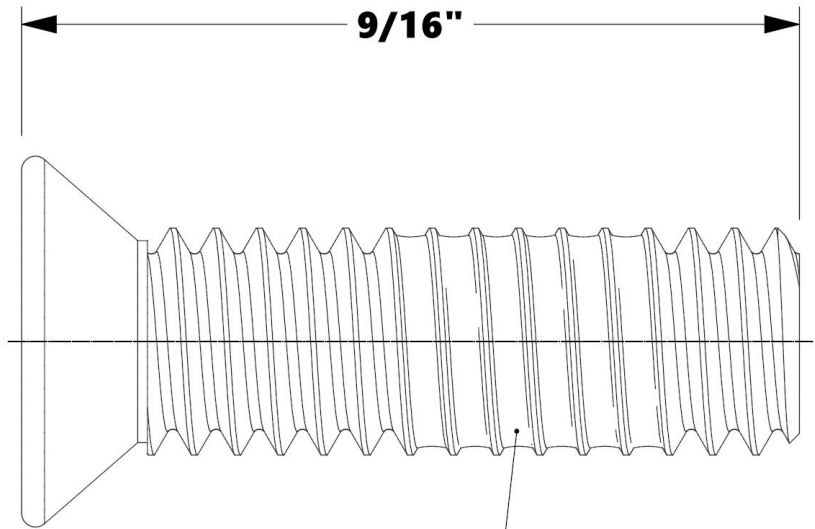
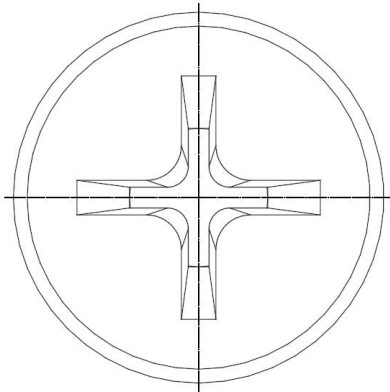
- Promessa™ Series
 - Baskets
 - TX100-001
 - TX100-002
 - TX100-003
 - TX100-004
 - TX100-030
 - TX100-050
 - TX100-060

Replacement Part | Specification

Model (SKU)

A008185

#8-32 x 9/16" Phillips Drive
Flat Head Machine Screw



Threadlocker

Product Dimensions (units are in both inches and mm)

Weight

0.003 lb / 0.001 kg

168