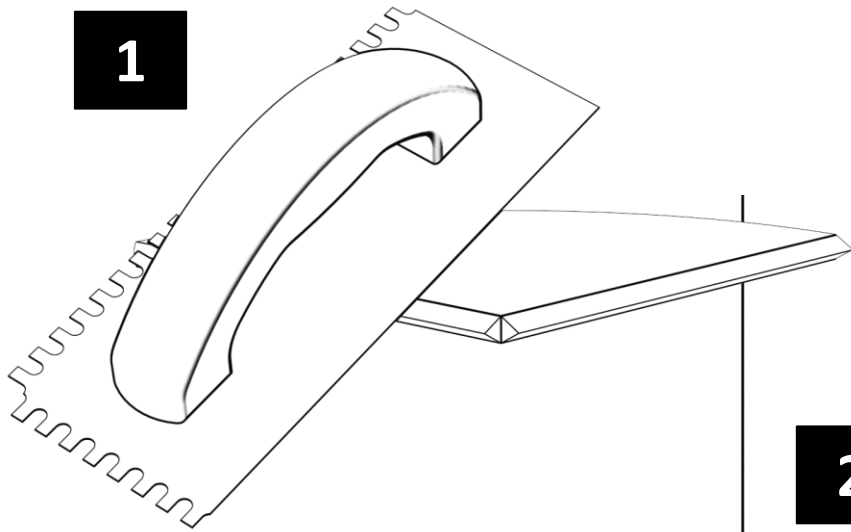


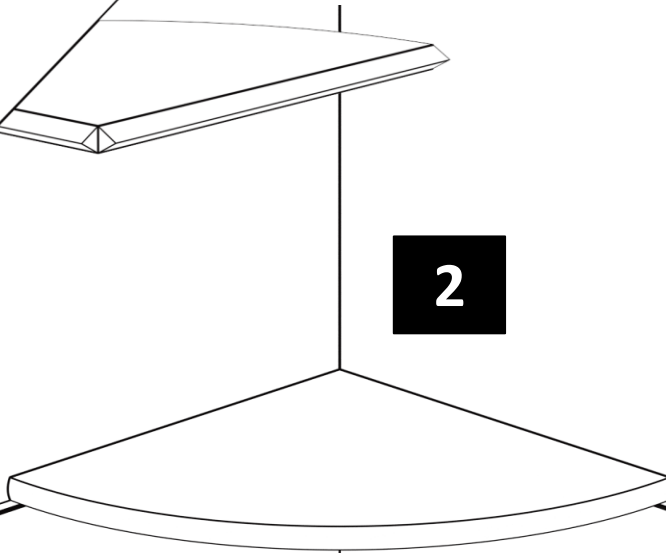
Boundless™

SHELVING SOLUTIONS
BY TILEWARE

1



2



Boundless™ Series | 9" Corner Shelf

1. Apply thin-set mortar to back edges of shelf in a wedge pattern.
2. Set shelf on top of wall stack and press into substrate.

NOTE: Wipe all excess wet thin-set mortar off shelf immediately.

Boundless™ Acrylic Solid Surface shelving is a renewable surface. Any scratches can be easily removed with our RENEW™ hand sanding and non woven polishing pads.



MADE IN USA

For more information:

828-322-9273

info@tilewareproducts.com

WARNING

DO NOT LET WET THIN-SET MORTAR
HARDEN ON SHELF SURFACE.