

# PRODUCT SPECIFICATION SHEET

PART: G100-060

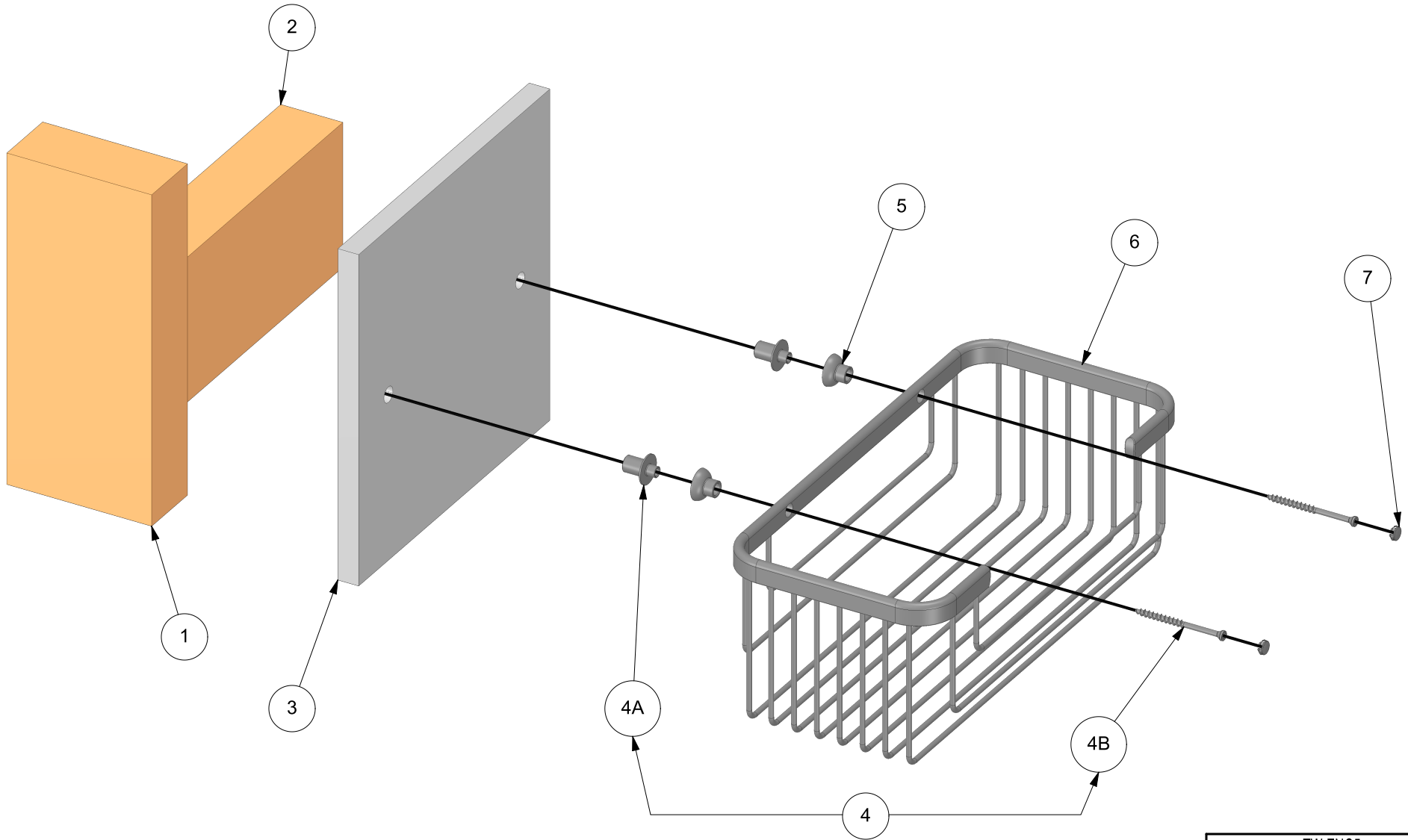
PROMESSA™ SERIES

EXTRA DEEP SHAMPOO BASKET KIT

[ GYPSUM WALLBOARD INSTALLATION SYSTEMS ]

FINISHES: PC, BN, ORB

FASTENER SYSTEM WORKS WITH ALL GYPSUM WALLBOARD BASKET MODELS  
 FASTENER SYSTEM ONLY WORKS WITH 1/2" GYPSUM WALLBOARD ( GWB ) MATERIALS  
 FASTENER SYSTEM ONLY WORKS WITH WOOD BLOCKING ( DO NOT USE WALL ANCHORS )  
 REFER TO INSTALLATION INSTRUCTIONS BEFORE USE



ERP PART #	REFERENCED ABOVE	APPROVALS	DATE
DWG #	596	RLS	11/1/16
SHEET 1 OF 3	SCALE 1:3		
WEIGHT:	1.503 LB	CUBED:	5.000 IN <sup>3</sup>

TW-ENG5





www.tilewareproducts.com  
 Office (828) 322-9273 Fax (828) 304-1076

# PRODUCT SPECIFICATION SHEET

**PART: G100-060**

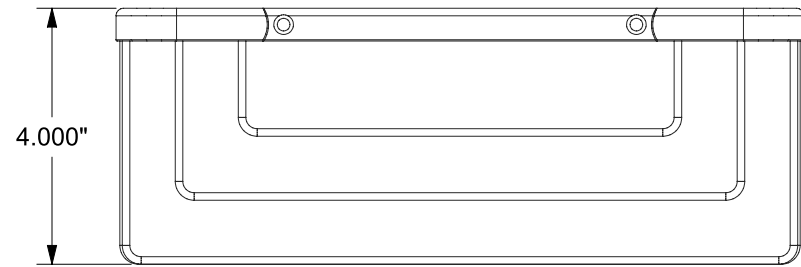
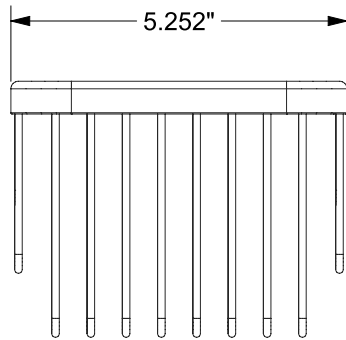
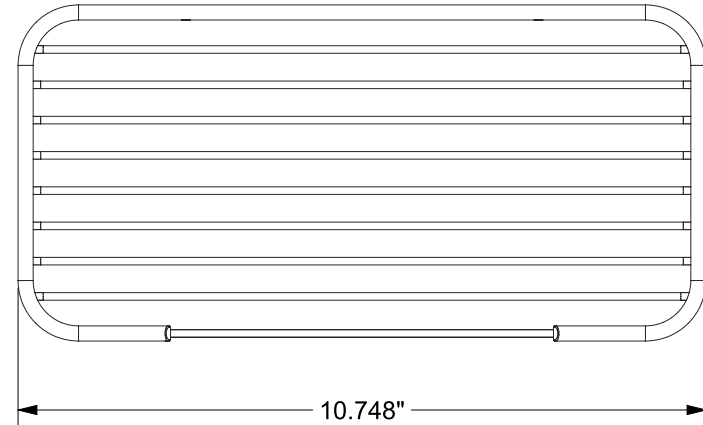
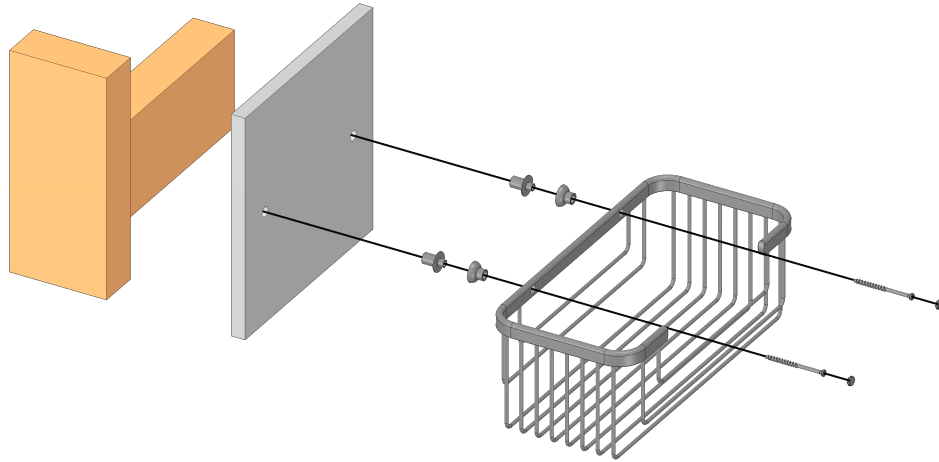
PROMESSA™ SERIES

EXTRA DEEP SHAMPOO BASKET KIT

[ GYPSUM WALLBOARD INSTALLATION SYSTEMS ]

FINISHES: PC, BN, ORB

FASTENER SYSTEM WORKS WITH ALL GYPSUM WALLBOARD BASKET MODELS  
 FASTENER SYSTEM ONLY WORKS WITH 1/2" GYPSUM WALLBOARD ( GWB ) MATERIALS  
 FASTENER SYSTEM ONLY WORKS WITH WOOD BLOCKING ( DO NOT USE WALL ANCHORS )  
 REFER TO INSTALLATION INSTRUCTIONS BEFORE USE



ERP PART #	REFERENCED ABOVE	APPROVALS	DATE
DWG #	596	RLS	11/1/16
SHEET 2 OF 3	SCALE 1:3		
WEIGHT:	1.503 LB	CUBED:	5.000 IN <sup>3</sup>

TW-ENG5





www.tilewareproducts.com

Office (828) 322-9273 Fax (828) 304-1076

# PRODUCT SPECIFICATION SHEET

**PART: G100-060**


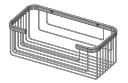

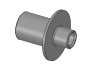

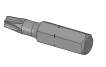
FASTENER SYSTEM WORKS WITH ALL GYPSUM WALLBOARD BASKET MODELS  
 FASTENER SYSTEM ONLY WORKS WITH 1/2" GYPSUM WALLBOARD ( GWB ) MATERIALS  
 FASTENER SYSTEM ONLY WORKS WITH WOOD BLOCKING ( DO NOT USE WALL ANCHORS )  
 REFER TO INSTALLATION INSTRUCTIONS BEFORE USE

PROMESSA™ SERIES

EXTRA DEEP SHAMPOO BASKET KIT

[ GYPSUM WALLBOARD INSTALLATION SYSTEMS ]

FINISHES: PC, BN, ORB

MODEL IMAGE	REF #	PART #	DESCRIPTION	MATERIAL	QTY	MODEL IMAGE	REF #	PART #	DESCRIPTION	MATERIAL	QTY
	1		STUD WALL PARTITION	WOOD			5	255245	STANDARD FERRULE	BRASS	2
	2		STUD WALL BLOCKING	WOOD			6	239251	EXTRA DEEP SHAMPOO BASKET	BRASS	1
	3		WALLBOARD PANEL	GYPSUM PANEL			7	243168	DECORATIVE PLUG	BRASS	2
	4	PG100-504	GYPSUM WALLBOARD BASKET FASTENER	ASSEMBLY	2						
	4A	C200-044	SPACER	ALUMINUM	1						
	4B	C200-048	# 7 X 2 1/4" STAR DRIVE TRIM HEAD SCREW	STAINLESS STEEL	1						
		C200-049	T15 STAR DRIVE BIT ( USED IN THE INSTALLATION OF C200-048 )	STEEL	1						

ERP PART #	REFERENCED ABOVE	APPROVALS	DATE
DWG #	596	RLS	11/1/16
SHEET 3 OF 3	SCALE N/A		
WEIGHT:	1.503 LB	CUBED:	5.000 IN <sup>3</sup>

TW-ENG5





www.tilewareproducts.com  
 Office (828) 322-9273 Fax (828) 304-1076