

PRODUCT SPECIFICATION SHEET

PART: G100-003

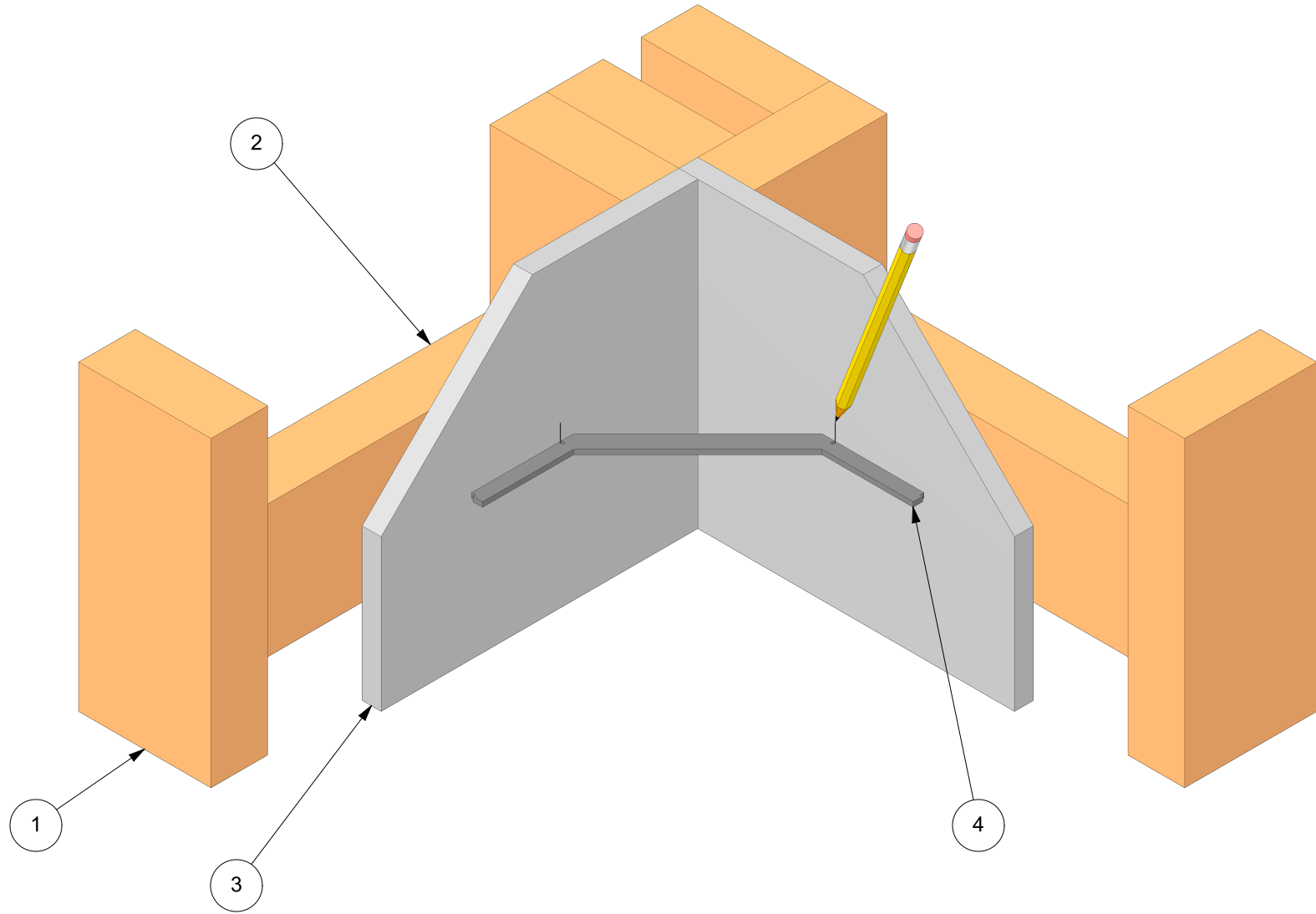
PROMESSA™ SERIES

SHALLOW CORNER SOAP BASKET KIT

[GYPSUM WALLBOARD INSTALLATION SYSTEMS]

FINISHES: PC, BN, ORB

FASTENER SYSTEM WORKS WITH ALL GYPSUM WALLBOARD BASKET MODELS
 FASTENER SYSTEM ONLY WORKS WITH 1/2" GYPSUM WALLBOARD (GWB) MATERIALS
 FASTENER SYSTEM ONLY WORKS WITH WOOD BLOCKING (DO NOT USE WALL ANCHORS)
 REFER TO INSTALLATION INSTRUCTIONS BEFORE USE



TW-ENG5



www.tilewareproducts.com
 Office (828) 322-9273 Fax (828) 304-1076

ERP PART #	REFERENCED ABOVE	APPROVALS	DATE
DWG #	592	RLS	12/1/16
SHEET 1 OF 4	SCALE 1:3		
WEIGHT:	0.825 LB	CUBED:	3.200 IN ³

PRODUCT SPECIFICATION SHEET

PART: G100-003

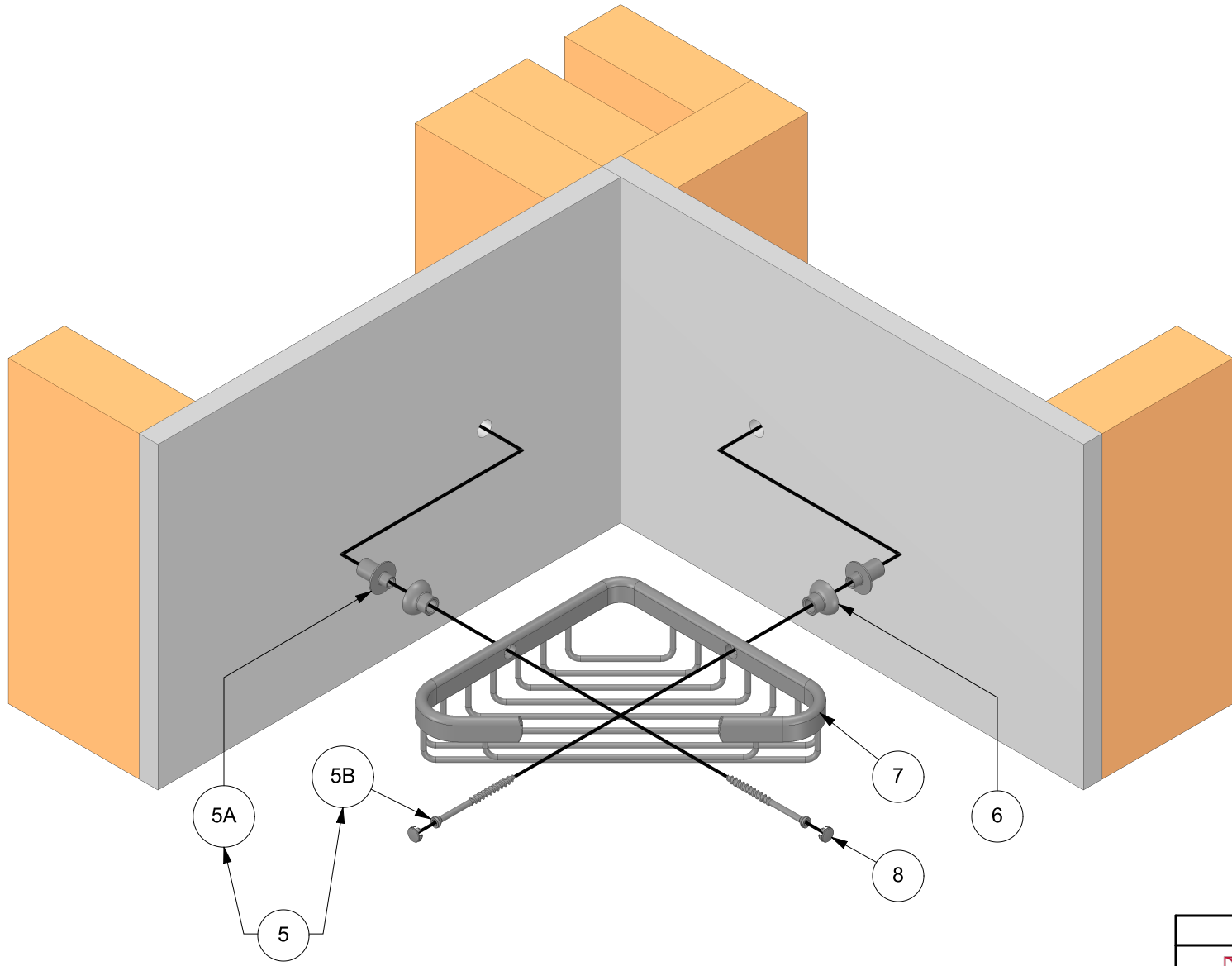
PROMESSA™ SERIES

SHALLOW CORNER SOAP BASKET KIT

[GYPSUM WALLBOARD INSTALLATION SYSTEMS]

FINISHES: PC, BN, ORB

FASTENER SYSTEM WORKS WITH ALL GYPSUM WALLBOARD BASKET MODELS
 FASTENER SYSTEM ONLY WORKS WITH 1/2" GYPSUM WALLBOARD (GWB) MATERIALS
 FASTENER SYSTEM ONLY WORKS WITH WOOD BLOCKING (DO NOT USE WALL ANCHORS)
 REFER TO INSTALLATION INSTRUCTIONS BEFORE USE



ERP PART #	REFERENCED ABOVE	APPROVALS	DATE
DWG #	592	RLS	12/1/16
SHEET 2 OF 4	SCALE 1:3		
WEIGHT:	0.825 LB	CUBED:	3.200 IN ³

TW-ENG5





www.tilewareproducts.com
 Office (828) 322-9273 Fax (828) 304-1076

PRODUCT SPECIFICATION SHEET

PART: G100-003

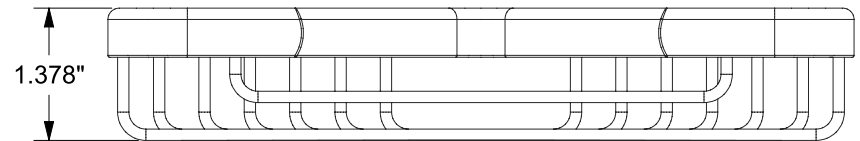
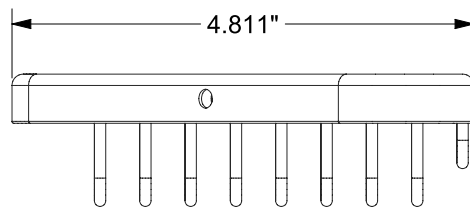
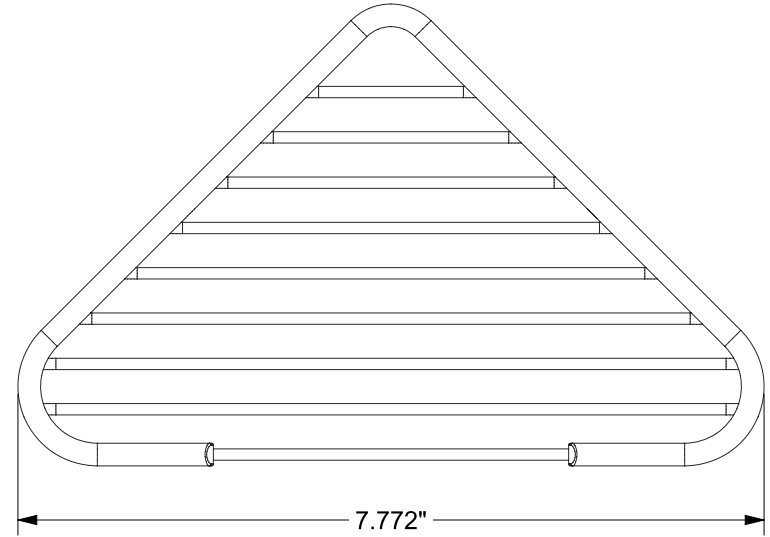
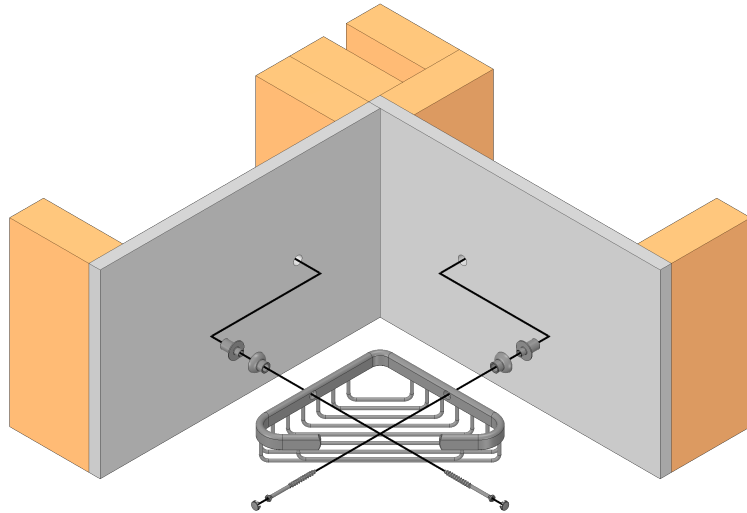
PROMESSA™ SERIES

SHALLOW CORNER SOAP BASKET KIT

[GYPSUM WALLBOARD INSTALLATION SYSTEMS]

FINISHES: PC, BN, ORB

FASTENER SYSTEM WORKS WITH ALL GYPSUM WALLBOARD BASKET MODELS
 FASTENER SYSTEM ONLY WORKS WITH 1/2" GYPSUM WALLBOARD (GWB) MATERIALS
 FASTENER SYSTEM ONLY WORKS WITH WOOD BLOCKING (DO NOT USE WALL ANCHORS)
 REFER TO INSTALLATION INSTRUCTIONS BEFORE USE



ERP PART #	REFERENCED ABOVE	APPROVALS	DATE
DWG #	592	RLS	12/1/16
SHEET 3 OF 4	SCALE 1:2		
WEIGHT:	0.825 LB	CUBED:	3.200 IN ³

TW-ENG5





www.tilewareproducts.com

Office (828) 322-9273 Fax (828) 304-1076

PRODUCT SPECIFICATION SHEET

PART: G100-003


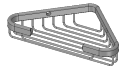





FASTENER SYSTEM WORKS WITH ALL GYPSUM WALLBOARD BASKET MODELS
 FASTENER SYSTEM ONLY WORKS WITH 1/2" GYPSUM WALLBOARD (GWB) MATERIALS
 FASTENER SYSTEM ONLY WORKS WITH WOOD BLOCKING (DO NOT USE WALL ANCHORS)
 REFER TO INSTALLATION INSTRUCTIONS BEFORE USE

PROMESSA™ SERIES

SHALLOW CORNER SOAP BASKET KIT

[GYPSUM WALLBOARD INSTALLATION SYSTEMS]

FINISHES: PC, BN, ORB

MODEL IMAGE	REF #	PART #	DESCRIPTION	MATERIAL	QTY	MODEL IMAGE	REF #	PART #	DESCRIPTION	MATERIAL	QTY
	1		STUD WALL PARTITION	WOOD			6	255245	STANDARD FERRULE	BRASS	2
	2		STUD WALL BLOCKING	WOOD			7	255289	SHALLOW CORNER SOAP BASKET	BRASS	1
	3		WALLBOARD PANEL	GYPSUM PANEL			8	243168	DECORATIVE PLUG	BRASS	2
	4	C100-009	GYPSUM WALLBOARD CORNER STABILIZER (ROUGH - IN COMPONENT, USED ONLY DURING FASTENER INSTALLATION)	PLASTIC	1						
	5	PG100-504	GYPSUM WALLBOARD BASKET FASTENER	ASSEMBLY	2						
	5A	C200-044	SPACER	ALUMINUM	1						
	5B	C200-048	# 7 X 2 1/4" STAR DRIVE TRIM HEAD SCREW	STAINLESS STEEL	1						
		C200-049	T15 STAR DRIVE BIT (USED IN THE INSTALLATION OF C200-048)	STEEL	1						

ERP PART #	REFERENCED ABOVE	APPROVALS	DATE
DWG #	592	RLS	12/1/16
SHEET 4 OF 4	SCALE N/A		
WEIGHT:	0.825 LB	CUBED:	3.200 IN ³

TW-ENG5	
 TILEWARE PRODUCTS	 
www.tilewareproducts.com	
Office (828) 322-9273 Fax (828) 304-1076	