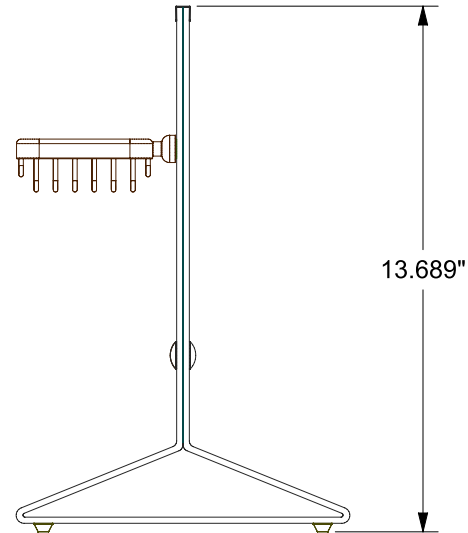
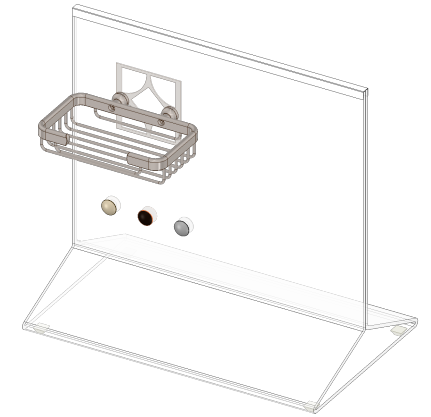
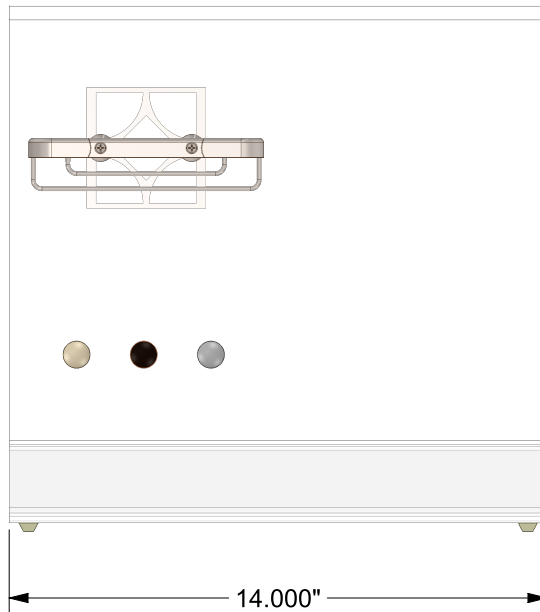
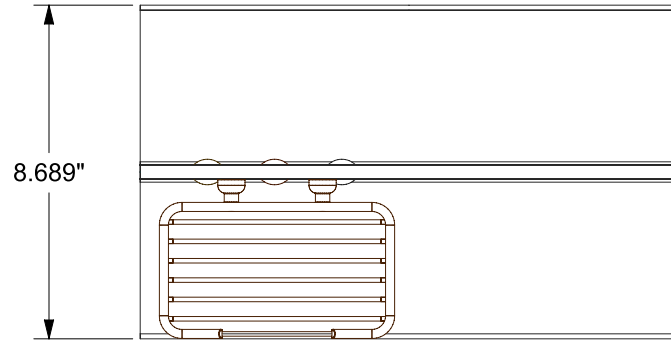


PART SPECIFICATION SHEET

PSBD-001 - PROMESSA™ SERIES ACRYLIC BASKET DISPLAY, 14" X 8 11/16" X 13 11/16"



WEIGHT: 5.000 LB
CUBED: 2.233 IN³

ERP PART #	PSBD-001	APPROVALS	DATE
DWG #	500	RLS	1/26/15
SHEET 1 OF 1	SCALE 2:3		

FORM # - ENG3



TilwareProducts, LLC
www.tilewareproducts.com
Office (828) 322-9273 Fax (828) 304-1076