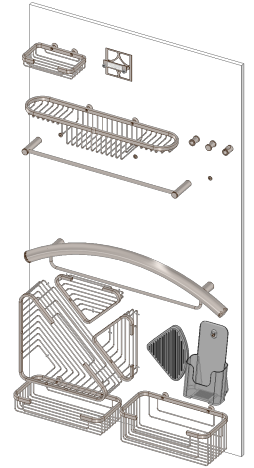
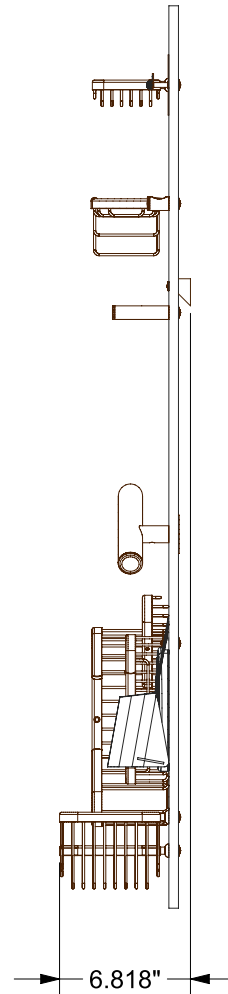
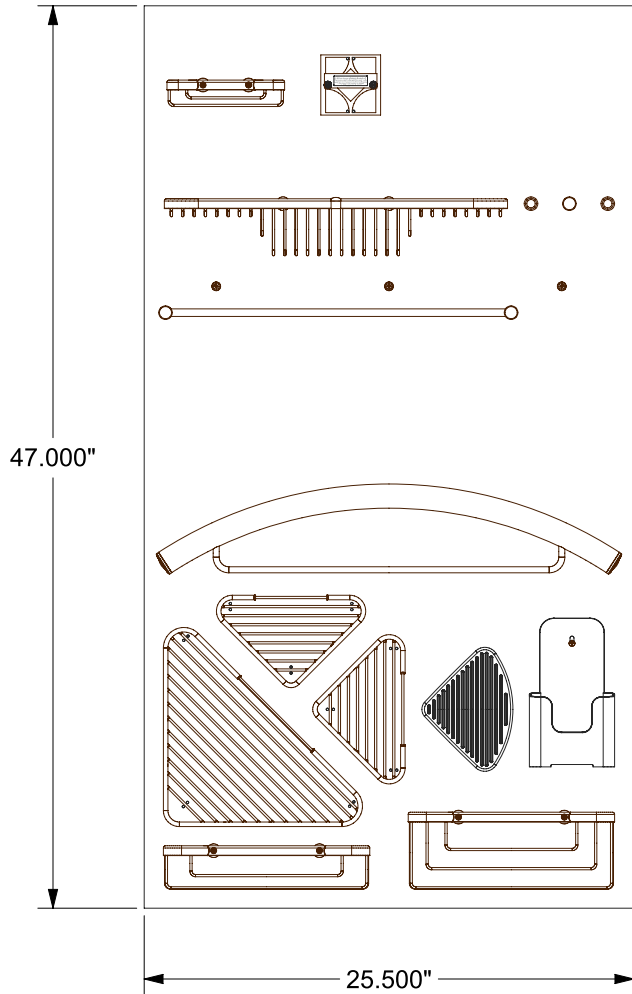


PART SPECIFICATION SHEET

TWGD-010 - GENERAL DISPLAY™ SERIES PANEL WITH MOUNTING CLEAT, 47" X 25 1/2" X 6 11/16"



WEIGHT: 31.000 LB
CUBED: 665.623 IN³

ERP PART #	TWGD-010	APPROVALS	DATE
DWG #	422	RLS	1/23/15
SHEET 1 OF 1	SCALE 1:10		

FORM # - ENG13



TilwareProducts, LLC
www.tilewareproducts.com
Office (828) 322-9273 Fax (828) 304-1076