

PRODUCT SPECIFICATION SHEET

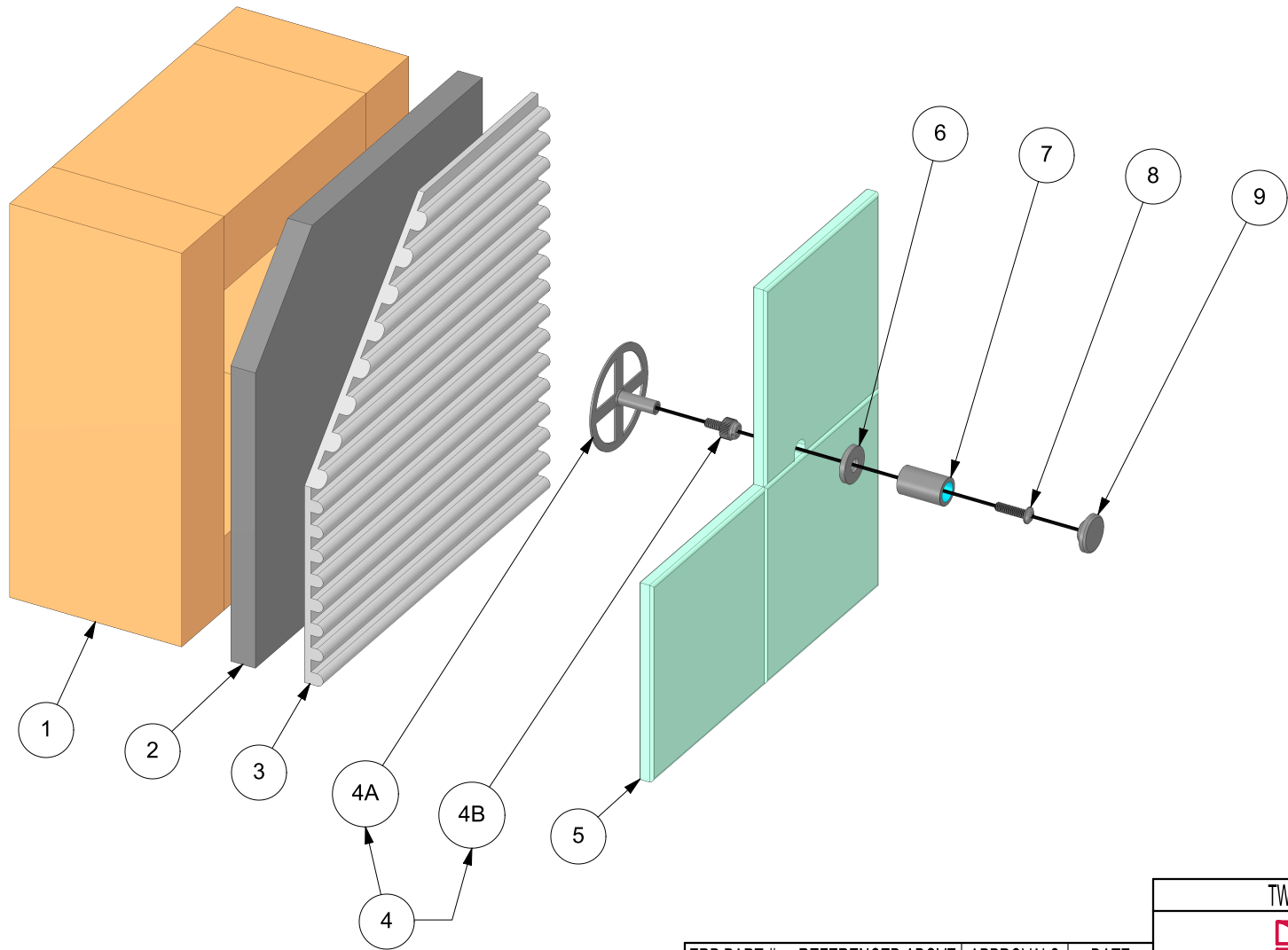
PART: T101-211

PERMATILE™ FASTENER SYSTEM WORKS WITH ALL MATERIAL THICKNESSES FROM - 5/32" TO 1/2"
MORTAR BASED INSTALLATION SYSTEM - NO MASTIC OR ORGANIC ADHESIVE ALLOWED!
REFER TO INSTALLATION INSTRUCTIONS BEFORE USE

PROMESSA™ SERIES

TEE HOOK (CONTEMPORARY) KIT

FINISHES: PC, BN, ORB



TW-ENG5



TileWare Products
www.tilewareproducts.com

ERP PART #	REFERENCED ABOVE	APPROVALS	DATE
DWG #	310A	RLS	10/23/13
SHEET 1 OF 3	SCALE 1:3		
WEIGHT:	0.101 LB	CUBED:	0.362 IN ³

Office (828) 322-9273 Fax (828) 304-1076

PRODUCT SPECIFICATION SHEET

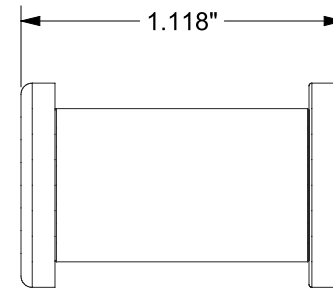
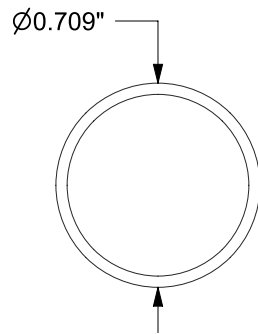
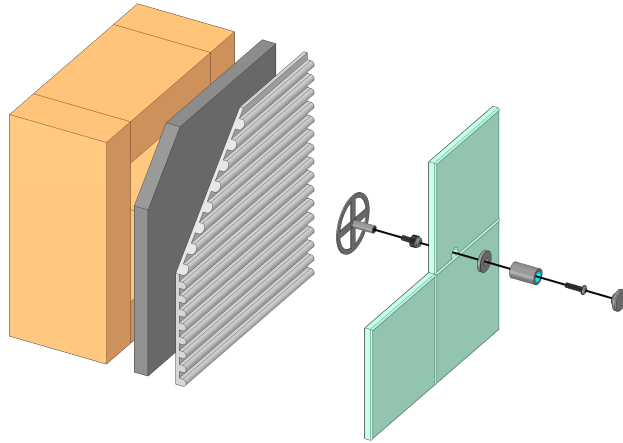
PART: T101-211

PERMATILE™ FASTENER SYSTEM WORKS WITH ALL MATERIAL THICKNESSES FROM - 5/32" TO 1/2"
 MORTAR BASED INSTALLATION SYSTEM - NO MASTIC OR ORGANIC ADHESIVE ALLOWED!
 REFER TO INSTALLATION INSTRUCTIONS BEFORE USE

PROMESSA™ SERIES

TEE HOOK (CONTEMPORARY) KIT

FINISHES: PC, BN, ORB



ERP PART #	REFERENCED ABOVE	APPROVALS	DATE
DWG #	310A	RLS	10/23/13
SHEET 2 OF 3	SCALE 3:2		
WEIGHT:	0.101 LB	CUBED:	0.362 IN ³

TW-ENG5



TileWare Products
 www.tilewareproducts.com

Office (828) 322-9273 Fax (828) 304-1076

PRODUCT SPECIFICATION SHEET

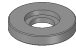
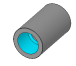





PART: T101-211

PERMATILE™ FASTENER SYSTEM WORKS WITH ALL MATERIAL THICKNESSES FROM - 5/32" TO 1/2"
MORTAR BASED INSTALLATION SYSTEM - NO MASTIC OR ORGANIC ADHESIVE ALLOWED!
REFER TO INSTALLATION INSTRUCTIONS BEFORE USE

PROMESSA™ SERIES

TEE HOOK (CONTEMPORARY) KIT

FINISHES: PC, BN, ORB

MODEL IMAGE	REF #	PART #	DESCRIPTION	MATERIAL	QTY	MODEL IMAGE	REF #	PART #	DESCRIPTION	MATERIAL	QTY
	1		STUD WALL PARTITION	WOOD			5		INSTALLED MATERIALS - 5/32" TO 1/2"	CERAMIC, GLASS PORCELAIN, STONE, ETC.	
	2		1/2" TILE BOARD	CEMENT FIBER FOAM			6	C220-006	WASHER	BRASS	1
	3		1/4" 3/8" NOTCH TROWEL (ASTM - A118.4 & A118.11)	THIN-SET MORTAR			7	C220-002	TEE HOOK SLEEVE	BRASS	1
	4	PT100-507	ROUND WALL FASTENER (TILE) (ITEM SOLD ONLY AS A REPLACEMENT PART)	ASSEMBLY	1		8	C200-013	UNC 8-32 X 3/4" PHILLIPS PAN HEAD SCREW	STAINLESS STEEL	1
	4A	A210-003	ROUND FASTENER STAMPING WITH 1 WELDED STUD	STAINLESS STEEL	1		9	C220-005	CONTEMPORARY CAP	BRASS	1
	4B	C100-002	THUMB SCREW (ROUGH - IN COMPONENT, USED ONLY DURING FASTENER INSTALLATION)	NYLON	1						

TW-ENG5



TileWare Products
www.tilewareproducts.com

ERP PART #	REFERENCED ABOVE	APPROVALS	DATE
DWG #	310A	RLS	10/23/13
SHEET 3 OF 3	SCALE N/A		
WEIGHT:	0.101 LB	CUBED:	0.362 IN ³

Office (828) 322-9273 Fax (828) 304-1076