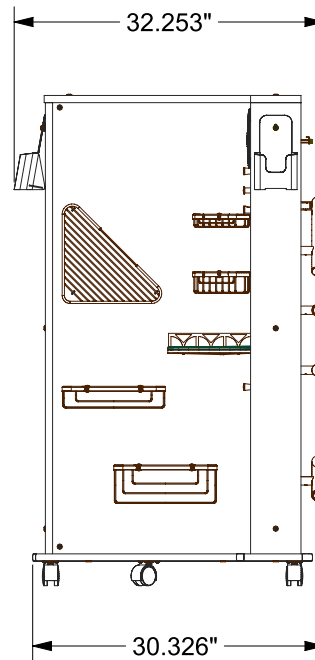
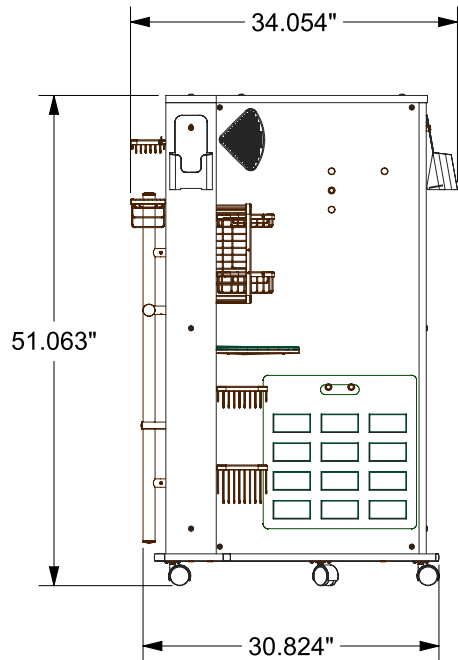
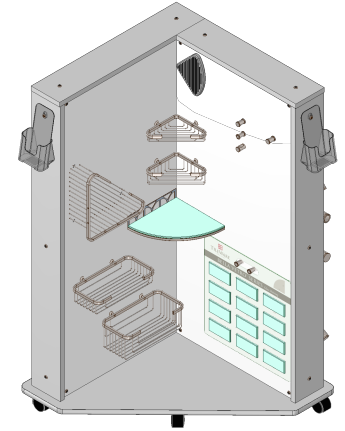
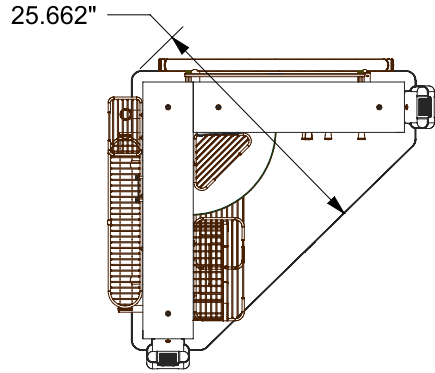


# PART SPECIFICATION SHEET

TWGD-009 - GENERAL DISPLAY™ SERIES TOWER, 51 1/16" X 34 1/16" X 32 1/4"



WEIGHT: 135.000 LB  
CUBED: 4848.150 IN<sup>3</sup>

ERP PART #	TWGD-009	APPROVALS	DATE
DWG #	210	RLS	1/26/15
SHEET 1 OF 1	SCALE 1:20		

FORM # - ENG13



TilwareProducts, LLC  
www.tilwareproducts.com  
Office (828) 322-9273 Fax (828) 304-1076