



# TILEWARE

PRODUCTS®



## PRODUCT GUIDE

ORGANIZATION & ACCESSIBILITY

*For Baths & Showers*



Baskets .....	4-10	Foot Props.....	23
Hooks .....	11-13	Claddy-T™ Shelf.....	24
Towel Bars .....	14	Glass Tile Shelving .....	25
Toilet Paper Holders ....	15	Rough-In Anchors.....	26-27
Grab Bars .....	16-22	Waterproofing.....	28



using penetrating wall anchors



with Waterproof Wall Anchors



If you are including a luxurious tile shower in your bathroom renovation or build, there is an important cautionary tale to tell that protects you from disappointment, potential health concerns, and investment losses. Building tile showers correctly requires much more than just installing beautiful tiles. Though tile is a durable, hard surface with water-resistant characteristics, it requires a highly-skilled installation process that integrates vital and effective waterproofing in order to prevent water-based damage from occurring. These processes manage and restrict how water correctly enters the space while moving toward the drain, ultimately creating a defense barrier against bacteria, which will grow and spread rapidly when waterproofing is not included or violated.

To prevent damage, proper waterproofing must occur behind the tile on the tile board. Though you can't see these systems after the tile is installed, they are designed to keep water and water vapor away from organic materials like structural wood studs and plywood. When **penetrating wall anchors** are used, they require drilling through the tile and membrane and into the interior wall cavity, allowing water to infiltrate the space. This causes wood materials to grow bacteria and decay, creating both health hazards and structural weaknesses. Suffice it to say, this is why waterproofing requires and comes with manufacturers' warranties.

Metal-mounted shower accessories like plumbing-grade shelves, hooks, grab bars, seats, hand showers, and shower doors are all products that can destroy waterproof systems. When these products are mounted using traditional **penetrating wall anchors**, they violate and void waterproofing intentions and warranties.

TileWare Products® stops these penetrations and the devastating effects of water infiltration with our patented PermaTile™ **Waterproof Wall Anchors**. Our approach is to combine anchoring with waterproofing (behind the tile) into a singular system which in turn protects the lifelong integrity of the waterproofing envelope (the space that contains and directs the flow of water to the drain). Our PermaTile™ anchors were designed to mate with our minimally-designed accessory products (illustrated in this Product Guide), which are easily installed. Our methods not only ensure proper waterproofing but, once our accessories are mounted, they are simply stronger. In addition, over the past 12 years, we have substantiated that our mounts will never loosen or pull away from your tile surfaces. By including our products in your tile shower, you will enjoy a well-organized space that features outrageous strength and reliability while having peace of mind that your investment is protected.

**We are excited and grateful for your engagement with PermaTile™ anchoring.**  
**BUY US ONCE FOR LIFE. Attach to, Not through.**

## Shower Accessory Worksheet

Use this worksheet to help plan and personalize your next shower project!

The accessories numbered below were thoughtfully designed for proper mounting, hygiene, organization, and convenience. Consider carefully tile showers that are shared and both immediate and future needs. **Note:** TileWare accessories mount with tile and substrates and not after. Any drilling after the tile is set and grouted will violate the interior wall cavity, allowing bacteria to grow. Include our PermaTile™ Waterproof Wall Anchors and accessory products to make your shower space both personal and watertight.



1. Opened basket storage, positioned above/below the shower lever. Offered in multiple sizes & depths ..... 4-10
2. Hang loofahs, poofs, & scrubbers inside or position robes & body towels outside..... 11-13
3. Drip-dry washcloths or arrange mats and body towels for immediate access .....14
4. Mount toilet paper holder on wainscot tile for a mounting that will not fail.....15
5. Multipurpose/minimalist ADA grab bars for assistance or hanging body towels..... 16-22
6. Anti-slip foot prop for leg shaving or washing lower extremities .....23
7. Pre-sloped Claddy-T™ shelf marries glass & metal for a unique style & storage solution..... 24-25
8. Refer to our Boundless™ Series Product Guide for more accessory & surface features for tile showers

Note: All of our metal accessories have precise mounting solutions for both tile and gypsum wallboard (drywall).

### CAP STYLES & FINISHES

Select the cap that best resembles your shower lever.



**Contemporary**  
(ends in 1)



**Brushed Gold**  
(BG)



**Matte Black**  
(BLK)



**Brushed Nickel**  
(BN)



**Oil Rub Bronze**  
(ORB)



**Polished Chrome**  
(PC)



**Traditional**  
(ends in 2)



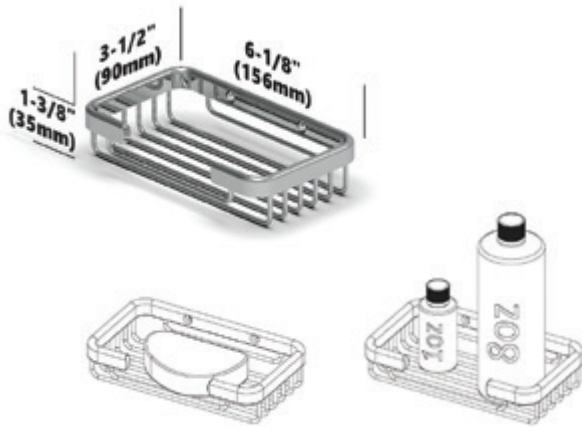
Actual finishes may vary from those pictured



# Promessa™ Series

## Rectangular Soap Basket

Storage solutions for personal care products



FINISHES
Brushed Gold (BG)
Matte Black (BLK)
Brushed Nickel (BN)
Oil Rub Bronze (ORB)
Polished Chrome (PC)

T	Complete Kit	Plated Stainless Steel
Tile Thickness Range	5/32" - 1/2" (4mm - 13mm)	Tile Substrates (pg 4) Surface Mount to Substrate

G	Complete Kit	Plated Stainless Steel
Gypsum Wallboard Surfaces	1/2", Attach to Blocking	Wallboard Substrates (pg 5)



Model (SKU)	T100-001-BG*	T100-001-BLK	T100-001-BN

Model (SKU)	G100-001-BG	G100-001-BLK	G100-001-BN*

TX	Trim Only Kit	Plated Stainless Steel
Tile Thickness Range	5/32" - 1/2" (4mm - 13mm)	

PT	Rough-In Only Kit	Stainless Steel
Tile Thickness Range	5/32" - 1/2" (4mm - 13mm)	Tile Substrates (pg 4) Surface Mount to Substrate



Mates with (sold separately)

Mates with (sold separately)

Model (SKU)	TX100-001-BG	TX100-001-BLK*	TX100-001-BN

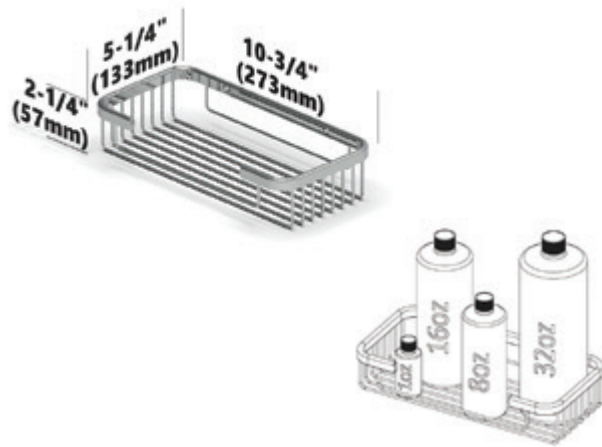
Model (SKU)	TX100-001-FINISH	Square Wall Anchor
		Equals <b>27-37%</b> cost of <b>Complete Kit</b> (based on finish selected)

4 USE LATEX-MODIFIED THINSET THAT MEETS ANSI A118.4/A118.15 PERFORMANCE STANDARDS \*Pictured

# Promessa™ Series

## Shampoo Basket

Storage solutions for personal care products



FINISHES
Brushed Gold (BG)
Brushed Nickel (BN)
Polished Chrome (PC)

T	Complete Kit	Plated Stainless Steel
Tile Thickness Range	5/32" - 1/2" (4mm - 13mm)	Tile Substrates (pg 4) Surface Mount to Substrate

G	Complete Kit	Plated Stainless Steel
Gypsum Wallboard Surfaces	1/2", Attach to Blocking	Wallboard Substrates (pg 5)

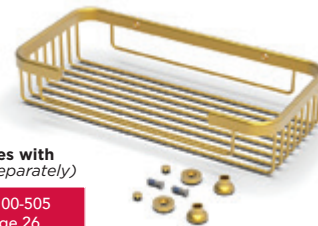


Model (SKU)	T100-002-BG	T100-002-BN	T100-002-PC*

Model (SKU)	G100-002-BG	G100-002-BN*	G100-002-PC

TX	Trim Only Kit	Plated Stainless Steel
Tile Thickness Range	5/32" - 1/2" (4mm - 13mm)	

PT	Rough-In Only Kit	Stainless Steel
Tile Thickness Range	5/32" - 1/2" (4mm - 13mm)	Tile Substrates (pg 4) Surface Mount to Substrate



Mates with (sold separately)

Mates with (sold separately)

Model (SKU)	TX100-002-BG*	TX100-002-BN	TX100-002-PC

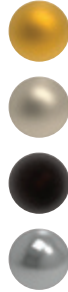
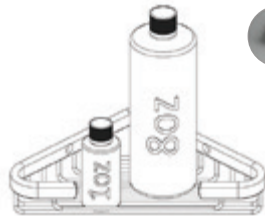
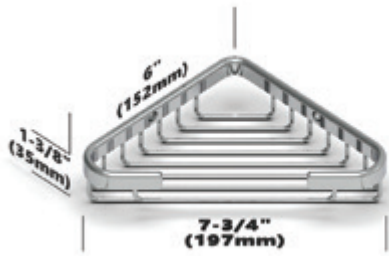
Model (SKU)	TX100-002-FINISH	Rectangular Wall Anchor
		Equals <b>27-32%</b> cost of <b>Complete Kit</b> (based on finish selected)

5 USE LATEX-MODIFIED THINSET THAT MEETS ANSI A118.4/A118.15 PERFORMANCE STANDARDS \*Pictured

# Promessa™ Series

## Shallow Corner Soap Basket

Storage solutions for personal care products



### FINISHES

Brushed Gold (BG)

Brushed Nickel (BN)

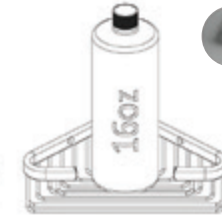
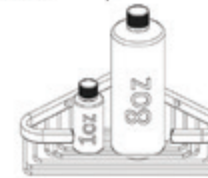
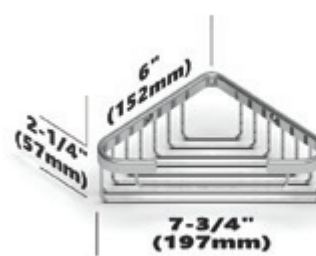
Oil Rub Bronze (ORB)

Polished Chrome (PC)

# Promessa™ Series

## Deep Corner Basket

Storage solutions for personal care products



### FINISHES

Brushed Gold (BG)

Matte Black (BLK)

Brushed Nickel (BN)

Polished Chrome (PC)

T	Complete Kit	Plated Stainless Steel
Tile Thickness Range		Tile Substrates (pg 4)
5/32" - 1/2" (4mm - 13mm)		Surface Mount to Substrate

G	Complete Kit	Plated Stainless Steel
Gypsum Wallboard Surfaces		Wallboard Substrates (pg 5)
		1/2", Attach to Blocking

T	Complete Kit	Plated Stainless Steel
Tile Thickness Range		Tile Substrates (pg 4)
5/32" - 1/2" (4mm - 13mm)		Surface Mount to Substrate

G	Complete Kit	Plated Stainless Steel
Gypsum Wallboard Surfaces		Wallboard Substrates (pg 5)
		1/2", Attach to Blocking



Model (SKU)	T100-003-BG	T100-003-BN	T100-003-ORB*
	T100-003-PC		

Model (SKU)	G100-003-BG*	G100-003-BN	G100-003-ORB
	G100-003-PC		

Model (SKU)	T100-004-BG	T100-004-BLK*	T100-004-BN
	T100-004-PC		

Model (SKU)	G100-004-BG	G100-004-BLK	G100-004-BN
	G100-004-PC*		

TX	Trim Only Kit	Plated Stainless Steel
Tile Thickness Range		
5/32" - 1/2" (4mm - 13mm)		

PT	Rough-In Only Kit	Stainless Steel
Tile Thickness Range		Tile Substrates (pg 4)
5/32" - 1/2" (4mm - 13mm)		Surface Mount to Substrate

TX	Trim Only Kit	Plated Stainless Steel
Tile Thickness Range		
5/32" - 1/2" (4mm - 13mm)		

PT	Rough-In Only Kit	Stainless Steel
Tile Thickness Range		Tile Substrates (pg 4)
5/32" - 1/2" (4mm - 13mm)		Surface Mount to Substrate



Model (SKU)	TX100-003-BG	TX100-003-BN	TX100-003-ORB
	TX100-003-PC*		

Model (SKU)	TX100-003-FINISH	Corner Wall Anchor
	PT100-506 Page 26	Equals <b>28-36%</b> cost of <b>Complete Kit</b> (based on finish selected)

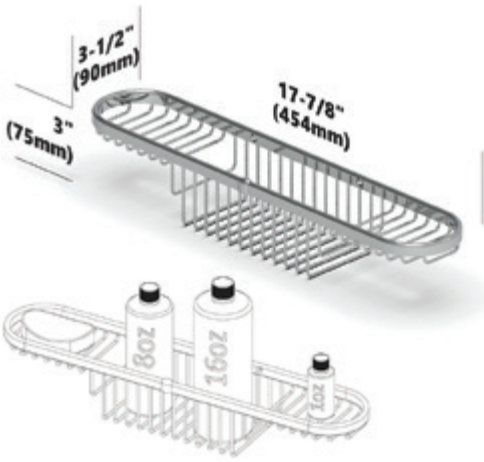
Model (SKU)	TX100-004-BG	TX100-004-BLK	TX100-004-BN*
	TX100-004-PC		

Model (SKU)	TX100-004-FINISH	Corner Wall Anchor
	PT100-506 Page 26	Equals <b>27-35%</b> cost of <b>Complete Kit</b> (based on finish selected)

# Promessa™ Series

## Combination Basket

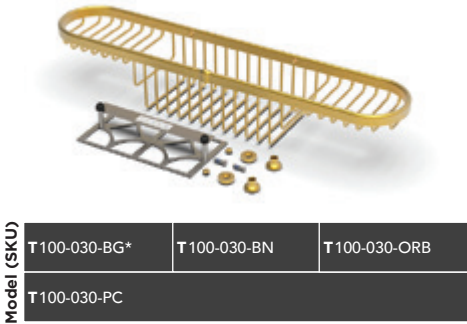
Storage solutions for personal care products



FINISHES
Brushed Gold (BG)
Brushed Nickel (BN)
Oil Rub Bronze (ORB)
Polished Chrome (PC)

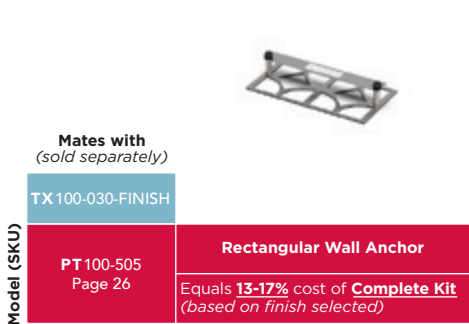
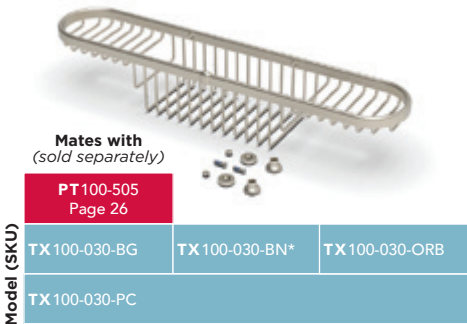
T	Complete Kit	Plated Stainless Steel
Tile Thickness Range	5/32" - 1/2" (4mm - 13mm)	Tile Substrates (pg 4) Surface Mount to Substrate

G	Complete Kit	Plated Stainless Steel
Gypsum Wallboard Surfaces	1/2", Attach to Blocking	Wallboard Substrates (pg 5)



TX	Trim Only Kit	Plated Stainless Steel
Tile Thickness Range	5/32" - 1/2" (4mm - 13mm)	

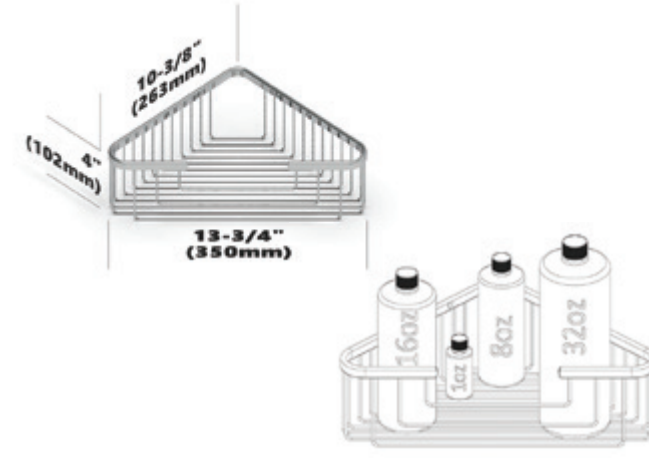
PT	Rough-In Only Kit	Stainless Steel
Tile Thickness Range	5/32" - 1/2" (4mm - 13mm)	Tile Substrates (pg 4) Surface Mount to Substrate



# Promessa™ Series

## Extra Deep Corner Basket

Storage solutions for personal care products



FINISHES
Brushed Gold (BG)
Matte Black (BLK)
Brushed Nickel (BN)
Oil Rub Bronze (ORB)
Polished Chrome (PC)

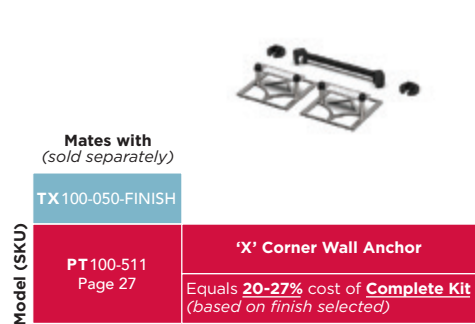
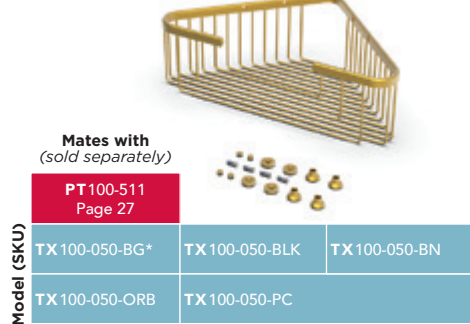
T	Complete Kit	Plated Stainless Steel
Tile Thickness Range	5/32" - 1/2" (4mm - 13mm)	Tile Substrates (pg 4) Surface Mount to Substrate

G	Complete Kit	Plated Stainless Steel
Gypsum Wallboard Surfaces	1/2", Attach to Blocking	Wallboard Substrates (pg 5)



TX	Trim Only Kit	Plated Stainless Steel
Tile Thickness Range	5/32" - 1/2" (4mm - 13mm)	

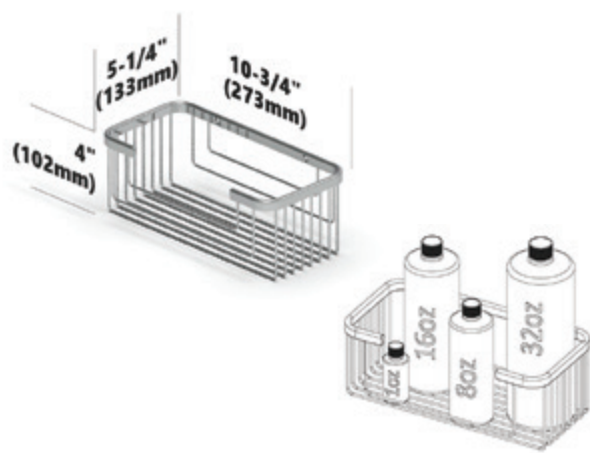
PT	Rough-In Only Kit	Stainless Steel
Tile Thickness Range	5/32" - 1/2" (4mm - 13mm)	Tile Substrates (pg 4) Surface Mount to Substrate



# Promessa™ Series

## Extra Deep Shampoo Basket

Storage solutions for personal care products

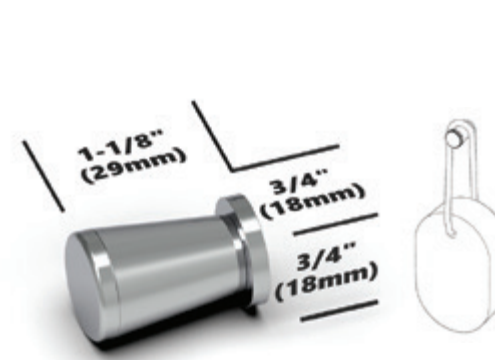


FINISHES
Brushed Gold (BG)
Matte Black (BLK)
Brushed Nickel (BN)
Polished Chrome (PC)

# Promessa™ Series

## Cone Hook

Organize anything that hangs with a rope



CAP STYLES		FINISHES
Contemporary (ends in 1)	Traditional (ends in 2)	
		Brushed Gold (BG)
		Brushed Nickel (BN)
		Oil Rub Bronze (ORB)
		Polished Chrome (PC)

T	Complete Kit	Plated Stainless Steel
Tile Thickness Range		Tile Substrates (pg 4)
5/32" - 1/2" (4mm - 13mm)		Surface Mount to Substrate

G	Complete Kit	Plated Stainless Steel
Gypsum Wallboard Surfaces		Wallboard Substrates (pg 5)
		1/2", Attach to Blocking

T	Complete Kit	Plated Stainless Steel
Tile Thickness Range		Tile Substrates (pg 4)
5/32" - 1/2" (4mm - 13mm)		Surface Mount to Substrate

G	Complete Kit	Plated Stainless Steel
Gypsum Wallboard Surfaces		Wallboard Substrates (pg 5)
		1/2", Attach to Blocking

Model (SKU)	T100-060-BG	T100-060-BLK	T100-060-BN*
	T100-060-PC		

Model (SKU)	G100-060-BG*	G100-060-BLK	G100-060-BN
	G100-060-PC		

Model (SKU)	T101-111-BG	T101-111-BN*	T101-111-ORB
		T101-112-BN	T101-112-ORB
	T101-111-PC		
	T101-112-PC		

Model (SKU)	G101-111-BG	G101-111-BN	G101-111-ORB
	G101-112-BG	G101-112-BN	G101-112-ORB
	G101-111-PC*		
	G101-112-PC		

TX	Trim Only Kit	Plated Stainless Steel
Tile Thickness Range		
5/32" - 1/2" (4mm - 13mm)		

PT	Rough-In Only Kit	Stainless Steel
Tile Thickness Range		Tile Substrates (pg 4)
5/32" - 1/2" (4mm - 13mm)		Surface Mount to Substrate

TX	Trim Only Kit	Plated Stainless Steel
Tile Thickness Range		
5/32" - 1/2" (4mm - 13mm)		

PT	Rough-In Only Kit	Stainless Steel
Tile Thickness Range		Tile Substrates (pg 4)
5/32" - 1/2" (4mm - 13mm)		Surface Mount to Substrate

Mates with (sold separately)

Model (SKU)	TX100-060-BG	TX100-060-BLK	TX100-060-BN
	TX100-060-PC*		

Mates with (sold separately)

Model (SKU)	TX100-060-FINISH	Rectangular Wall Anchor
	PT100-505	Equals <b>17-22%</b> cost of <b>Complete Kit</b> (based on finish selected)
	Page 26	

Mates with (sold separately)

Model (SKU)	TX101-111-BG	TX101-111-BN	TX101-111-ORB
	TX101-112-BG	TX101-112-BN	TX101-112-ORB*
	TX101-111-PC		
	TX101-112-PC		

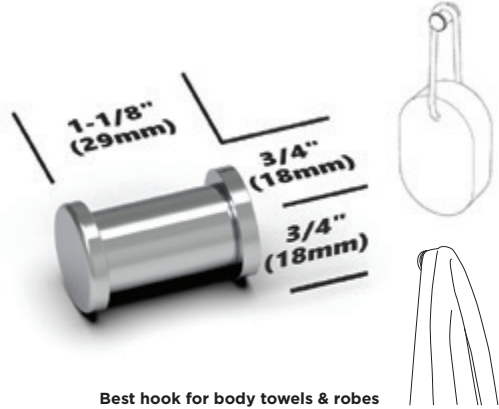
Mates with (sold separately)

Model (SKU)	TX101-111-FINISH	Round Wall Anchor
	PT100-507	Equals <b>37-43%</b> cost of <b>Complete Kit</b> (based on finish selected)
	Page 26	

# Promessa™ Series

## Tee Hook

Organize anything that hangs with a rope



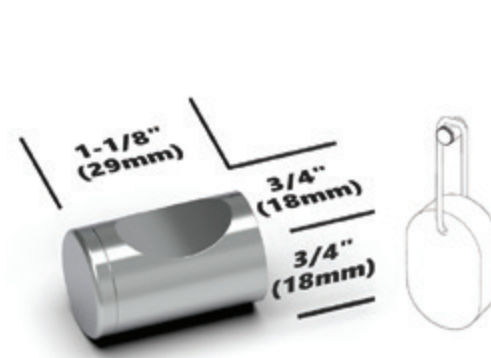
CAP STYLES		FINISHES
Contemporary (ends in 1)	Traditional (ends in 2)	
		Brushed Gold (BG)
		Matte Black (BLK)
		Brushed Nickel (BN)
		Oil Rub Bronze (ORB)
		Polished Chrome (PC)

Best hook for body towels & robes

# Promessa™ Series

## Thumb Hook

Organize anything that hangs with a rope



CAP STYLES		FINISHES
Contemporary (ends in 1)	Traditional (ends in 2)	
		Brushed Gold (BG)
		Brushed Nickel (BN)
		Oil Rub Bronze (ORB)
		Polished Chrome (PC)

T	Complete Kit	Plated Stainless Steel
Tile Thickness Range 5/32" - 1/2" (4mm - 13mm)		Tile Substrates (pg 4) Surface Mount to Substrate

G	Complete Kit	Plated Stainless Steel
Gypsum Wallboard Surfaces		Wallboard Substrates (pg 5) 1/2", Attach to Blocking

T	Complete Kit	Plated Stainless Steel
Tile Thickness Range 5/32" - 1/2" (4mm - 13mm)		Tile Substrates (pg 4) Surface Mount to Substrate

G	Complete Kit	Plated Stainless Steel
Gypsum Wallboard Surfaces		Wallboard Substrates (pg 5) 1/2", Attach to Blocking



Model (SKU)	T101-211-BG T101-212-BG*	T101-211-BLK T101-212-BLK	T101-211-BN T101-212-BN
	T101-211-ORB T101-212-ORB	T101-211-PC T101-212-PC	

Model (SKU)	G101-211-BG G101-212-BG	G101-211-BLK G101-212-BLK	G101-211-BN G101-212-BN*
	G101-211-ORB G101-212-ORB	G101-211-PC G101-212-PC	

Model (SKU)	T101-311-BG T101-312-BG	T101-311-BN T101-312-BN	T101-311-ORB* T101-312-ORB
	T101-311-PC T101-312-PC		

Model (SKU)	G101-311-BG* G101-312-BG	G101-311-BN G101-312-BN	G101-311-ORB G101-312-ORB
	G101-311-PC G101-312-PC		

TX	Trim Only Kit	Plated Stainless Steel
Tile Thickness Range 5/32" - 1/2" (4mm - 13mm)		

PT	Rough-In Only Kit	Stainless Steel
Tile Thickness Range 5/32" - 1/2" (4mm - 13mm)		Tile Substrates (pg 4) Surface Mount to Substrate

TX	Trim Only Kit	Plated Stainless Steel
Tile Thickness Range 5/32" - 1/2" (4mm - 13mm)		

PT	Rough-In Only Kit	Stainless Steel
Tile Thickness Range 5/32" - 1/2" (4mm - 13mm)		Tile Substrates (pg 4) Surface Mount to Substrate



Mates with (sold separately)		
PT100-507 Page 26		
TX101-211-BG TX101-212-BG	TX101-211-BLK* TX101-212-BLK	TX101-211-BN TX101-212-BN
TX101-211-ORB TX101-212-ORB	TX101-211-PC TX101-212-PC	

Mates with (sold separately)	
TX101-211-FINISH TX101-212-FINISH	
PT100-507 Page 26	Round Wall Anchor
Equals <b>37-43%</b> cost of <b>Complete Kit</b> (based on finish selected)	

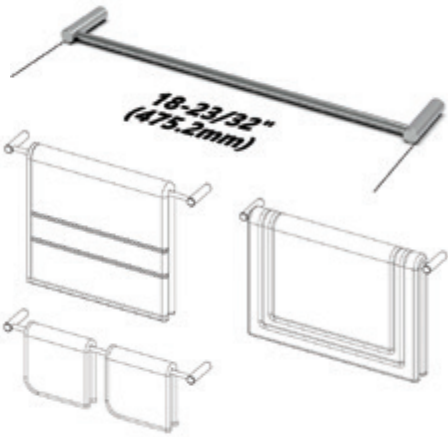
Mates with (sold separately)		
PT100-507 Page 26		
TX101-311-BG TX101-312-BG	TX101-311-BN TX101-312-BN	TX101-311-ORB TX101-312-ORB
TX101-311-PC TX101-312-PC*		

Mates with (sold separately)	
TX101-311-FINISH TX101-312-FINISH	
PT100-507 Page 26	Round Wall Anchor
Equals <b>37-43%</b> cost of <b>Complete Kit</b> (based on finish selected)	

# Promessa™ Series

## 18" Towel Bar

Hang mats, towels & washcloths



CAP STYLES		FINISHES
Contemporary (ends in 1)	Traditional (ends in 2)	
		Brushed Gold (BG)
		Matte Black (BLK)
		Brushed Nickel (BN)
		Oil Rub Bronze (ORB)
		Polished Chrome (PC)

T	Complete Kit	Plated Stainless Steel
Tile Thickness Range		Tile Substrates (pg 4)
5/32" - 1/2" (4mm - 13mm)		Surface Mount to Substrate

G	Complete Kit	Plated Stainless Steel
Gypsum Wallboard Surfaces		Wallboard Substrates (pg 5)
		1/2", Attach to Blocking



Model (SKU)	T102-011-BG	T102-011-BLK	T102-011-BN
	T102-012-BG	T102-012-BLK*	T102-012-BN
	T102-011-ORB	T102-011-PC	
	T102-012-ORB	T102-012-PC	

Model (SKU)	G102-011-BG	G102-011-BLK	G102-011-BN
	G102-012-BG	G102-012-BLK	G102-012-BN
	G102-011-ORB	G102-011-PC	
	G102-012-ORB*	G102-012-PC	

TX	Trim Only Kit	Plated Stainless Steel
Tile Thickness Range		
5/32" - 1/2" (4mm - 13mm)		

PT	Rough-In Only Kit	Stainless Steel
Tile Thickness Range		Tile Substrates (pg 4)
5/32" - 1/2" (4mm - 13mm)		Surface Mount to Substrate



Mates with  
(sold separately)

Mates with  
(sold separately)

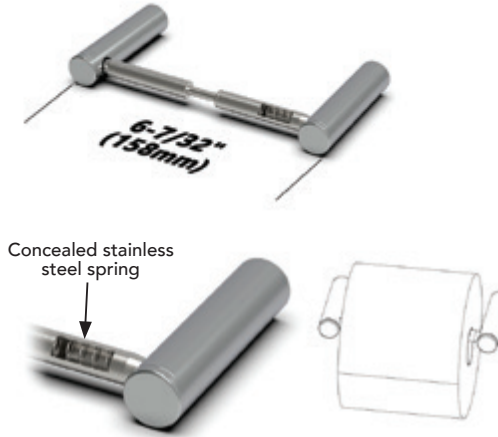
Model (SKU)	PT100-508	TX102-011-BG	TX102-011-BLK	TX102-011-BN*
	Page 26	TX102-012-BG	TX102-012-BLK	TX102-012-BN
		TX102-011-ORB	TX102-011-PC	
		TX102-012-ORB	TX102-012-PC	

Model (SKU)	TX102-011-FINISH	TX102-012-FINISH	18" On Center Round Wall Anchor
			Equals <b>29-35%</b> cost of <b>Complete Kit</b> (based on finish selected)
	PT100-508		
	Page 26		

# Promessa™ Series

## Toilet Paper Holder

Paper holders that stay firmly mounted



CAP STYLES		FINISHES
Contemporary (ends in 1)	Traditional (ends in 2)	
		Brushed Gold (BG)
		Matte Black (BLK)
		Brushed Nickel (BN)
		Oil Rub Bronze (ORB)
		Polished Chrome (PC)

T	Complete Kit	Plated Stainless Steel
Tile Thickness Range		Tile Substrates (pg 4)
5/32" - 1/2" (4mm - 13mm)		Surface Mount to Substrate

G	Complete Kit	Plated Stainless Steel
Gypsum Wallboard Surfaces		Wallboard Substrates (pg 5)
		1/2", Attach to Blocking



Model (SKU)	T105-011-BG	T105-011-BLK	T105-011-BN
	T105-012-BG	T105-012-BLK	T105-012-BN
	T105-011-ORB	T105-011-PC*	
	T105-012-ORB	T105-012-PC	

Model (SKU)	G105-011-BG	G105-011-BLK*	G105-011-BN
	G105-012-BG	G105-012-BLK	G105-012-BN
	G105-011-ORB	G105-011-PC	
	G105-012-ORB	G105-012-PC	

TX	Trim Only Kit	Plated Stainless Steel
Tile Thickness Range		
5/32" - 1/2" (4mm - 13mm)		

PT	Rough-In Only Kit	Stainless Steel
Tile Thickness Range		Tile Substrates (pg 4)
5/32" - 1/2" (4mm - 13mm)		Surface Mount to Substrate



Mates with  
(sold separately)

Mates with  
(sold separately)

Model (SKU)	PT100-516	TX105-011-BG	TX105-011-BLK	TX105-011-BN
	Page 27	TX105-012-BG*	TX105-012-BLK	TX105-012-BN
		TX105-011-ORB	TX105-011-PC	
		TX105-012-ORB	TX105-012-PC	

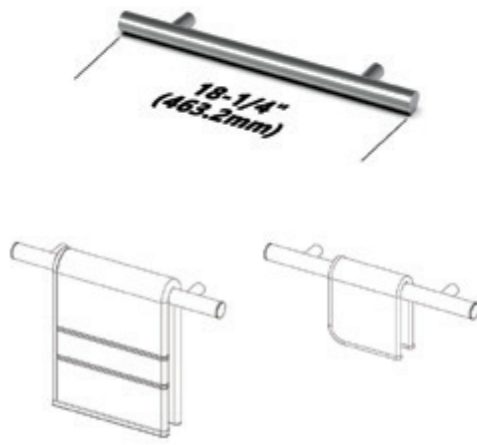
Model (SKU)	TX105-011-FINISH	TX105-012-FINISH	5-1/2" On Center Round Wall Anchor
			Equals <b>27-32%</b> cost of <b>Complete Kit</b> (based on finish selected)
	PT100-516		
	Page 27		



# Victoria™ Series

## ADA 18" Straight Grab Bar

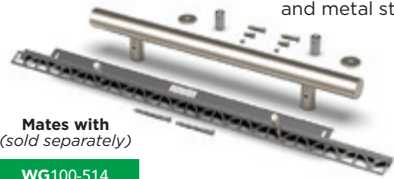
Accessibility Grab Bars for inside & outside the shower



CAP STYLES		FINISHES
Contemporary (ends in 1)	Traditional (ends in 2)	
		Brushed Gold (BG)
		Matte Black (BLK)
		Brushed Nickel (BN)
		Oil Rub Bronze (ORB)
		Polished Chrome (PC)

T	Complete Kit	Plated Stainless Steel
Tile Thickness Range	Tile Substrates 1/2" (pg 4)	
5/32" - 1/2" (4mm - 13mm)	Integrate into Substrate	

Works with both wood and metal studs



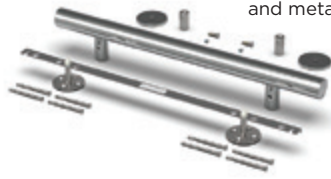
Mates with (sold separately)

WG100-514  
Page 28

Model (SKU)	Model (SKU)	Model (SKU)
T200-001-BG	T200-001-BLK	T200-001-BN
T200-002-BG	T200-002-BLK	T200-002-BN*
T200-001-ORB	T200-001-PC	
T200-002-ORB	T200-002-PC	

G	Complete Kit	Plated Stainless Steel
Gypsum Wallboard Surfaces	Wallboard Substrates (pg 5)	
	1/2" or 5/8", Attach to Blocking	

Works with both wood and metal studs

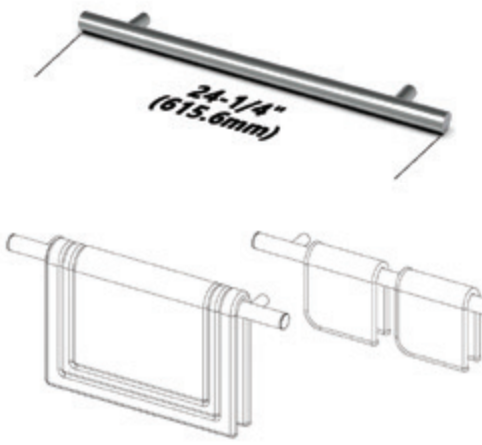


Model (SKU)	Model (SKU)	Model (SKU)
G200-001-BG	G200-001-BLK	G200-001-BN
G200-002-BG	G200-002-BLK	G200-002-BN
G200-001-ORB	G200-001-PC	
G200-002-ORB	G200-002-PC*	

# Victoria™ Series

## ADA 24" Straight Grab Bar

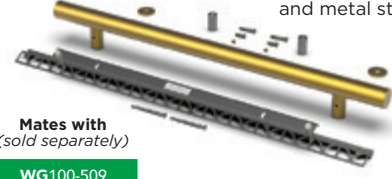
Accessibility Grab Bars for inside & outside the shower



CAP STYLES		FINISHES
Contemporary (ends in 1)	Traditional (ends in 2)	
		Brushed Gold (BG)
		Matte Black (BLK)
		Brushed Nickel (BN)
		Oil Rub Bronze (ORB)
		Polished Chrome (PC)

T	Complete Kit	Plated Stainless Steel
Tile Thickness Range	Tile Substrates 1/2" (pg 4)	
5/32" - 1/2" (4mm - 13mm)	Integrate into Substrate	

Works with both wood and metal studs



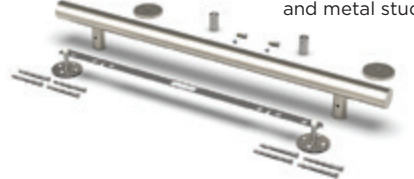
Mates with (sold separately)

WG100-509  
Page 28

Model (SKU)	Model (SKU)	Model (SKU)
T200-011-BG*	T200-011-BLK	T200-011-BN
T200-012-BG	T200-012-BLK	T200-012-BN
T200-011-ORB	T200-011-PC	
T200-012-ORB	T200-012-PC	

G	Complete Kit	Plated Stainless Steel
Gypsum Wallboard Surfaces	Wallboard Substrates (pg 5)	
	1/2" or 5/8", Attach to Blocking	

Works with both wood and metal studs



Model (SKU)	Model (SKU)	Model (SKU)
G200-011-BG	G200-011-BLK	G200-011-BN*
G200-012-BG	G200-012-BLK	G200-012-BN
G200-011-ORB	G200-011-PC	
G200-012-ORB	G200-012-PC	

TX	Trim Only Kit	Plated Stainless Steel
Tile Thickness Range		
5/32" - 1/2" (4mm - 13mm)		

Mates with (sold separately)

PT100-514  
Page 27

Model (SKU)	Model (SKU)	Model (SKU)
TX200-001-BG	TX200-001-BLK	TX200-001-BN
TX200-002-BG	TX200-002-BLK	TX200-002-BN
TX200-001-ORB*	TX200-001-PC	
TX200-002-ORB	TX200-002-PC	

PT	Rough-In Only Kit	Stainless Steel
Tile Thickness Range	Tile Substrates, 1/2" (pg 4)	
5/32" - 1/2" (4mm - 13mm)	Integrate into Substrate	

Works with both wood and metal studs



TX200-001-FINISH  
TX200-002-FINISH

Mates with (sold separately)

WG100-514  
Page 28

Model (SKU)	Model (SKU)	Model (SKU)
PT100-514 Page 27	12" On Center 'Z' Wall Anchor For 18" Grab Bars	
	Equals 28-34% cost of Complete Kit (based on finish selected)	

TX	Trim Only Kit	Plated Stainless Steel
Tile Thickness Range		
5/32" - 1/2" (4mm - 13mm)		

Mates with (sold separately)

PT100-509  
Page 27

Model (SKU)	Model (SKU)	Model (SKU)
TX200-011-BG	TX200-011-BLK	TX200-011-BN
TX200-012-BG	TX200-012-BLK*	TX200-012-BN
TX200-011-ORB	TX200-011-PC	
TX200-012-ORB	TX200-012-PC	

PT	Rough-In Only Kit	Stainless Steel
Tile Thickness Range	Tile Substrates, 1/2" (pg 4)	
5/32" - 1/2" (4mm - 13mm)	Integrate into Substrate	

Works with both wood and metal studs



TX200-011-FINISH  
TX200-012-FINISH

Mates with (sold separately)

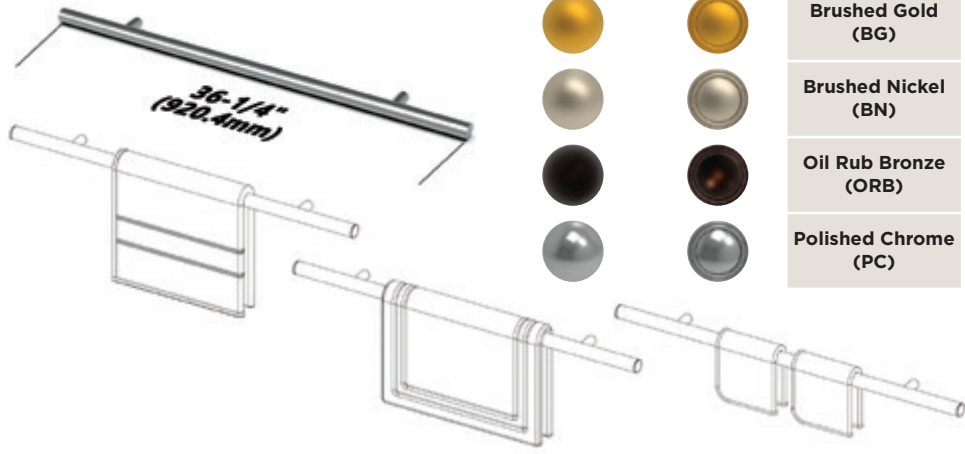
WG100-509  
Page 28

Model (SKU)	Model (SKU)	Model (SKU)
PT100-509 Page 27	18" On Center 'Z' Wall Anchor For 24" Grab Bars	
	Equals 28-34% cost of Complete Kit (based on finish selected)	

# Victoria™ Series

## ADA 36" Straight Grab Bar

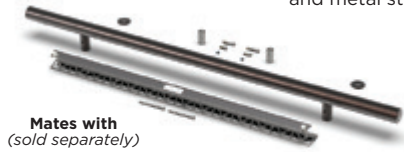
Accessibility Grab Bars for inside & outside the shower



CAP STYLES		FINISHES
Contemporary (ends in 1)	Traditional (ends in 2)	
		Brushed Gold (BG)
		Brushed Nickel (BN)
		Oil Rub Bronze (ORB)
		Polished Chrome (PC)

T	Complete Kit	Plated Stainless Steel
Tile Thickness Range 5/32" - 1/2" (4mm - 13mm)	Tile Substrates 1/2" (pg 4) Integrate into Substrate	

Works with both wood and metal studs



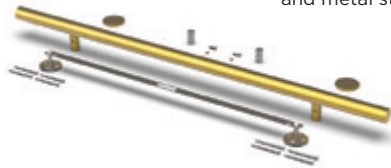
Mates with  
(sold separately)

WG100-515  
Page 28

Model (SKU)	T200-031-BG	T200-031-BN	T200-031-ORB
	T200-032-BG	T200-032-BN	T200-032-ORB*
	T200-031-PC		T200-032-PC

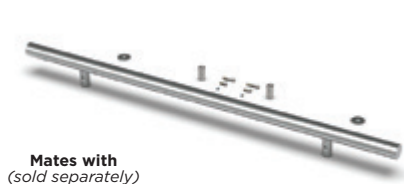
G	Complete Kit	Plated Stainless Steel
Gypsum Wallboard Surfaces	Wallboard Substrates (pg 5) 1/2" or 5/8", Attach to Blocking	

Works with both wood and metal studs



Model (SKU)	G200-031-BG	G200-031-BN	G200-031-ORB
	G200-032-BG*	G200-032-BN	G200-032-ORB
	G200-031-PC		G200-032-PC

TX	Trim Only Kit	Plated Stainless Steel
Tile Thickness Range 5/32" - 1/2" (4mm - 13mm)		



Mates with  
(sold separately)

PT100-515  
Page 27

Model (SKU)	TX200-031-BG	TX200-031-BN	TX200-031-ORB
	TX200-032-BG	TX200-032-BN	TX200-032-ORB
	TX200-031-PC*		TX200-032-PC

PT	Rough-In Only Kit	Stainless Steel
Tile Thickness Range 5/32" - 1/2" (4mm - 13mm)	Tile Substrates, 1/2" (pg 4) Integrate into Substrate	

Works with both wood and metal studs

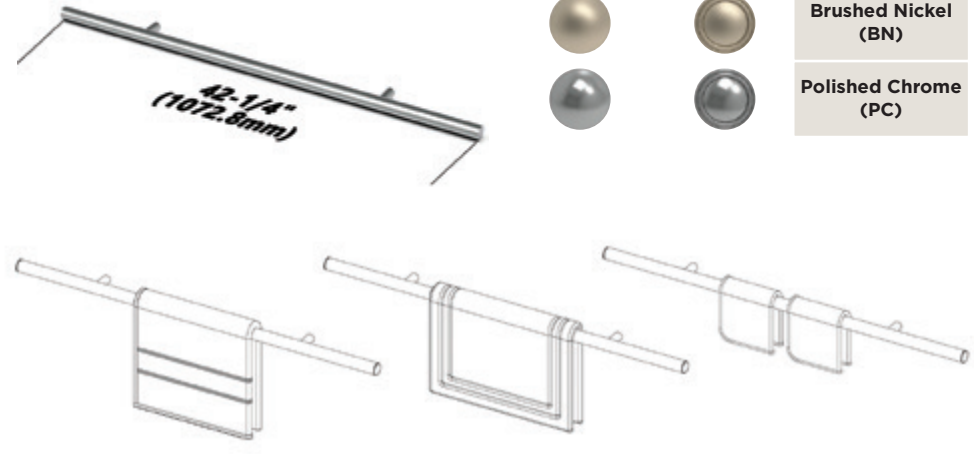


Model (SKU)	TX200-031-FINISH	TX200-032-FINISH	Mates with (sold separately)	WG100-515 Page 28
	PT100-515 Page 27		24" On Center 'Z' Wall Anchor For 36" & 42" Grab Bars	
			Equals 27-32% cost of Complete Kit (based on finish selected)	

# Victoria™ Series

## ADA 42" Straight Grab Bar

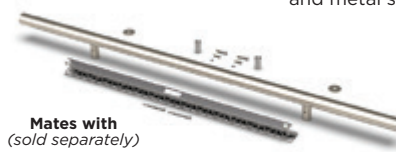
Accessibility Grab Bars for inside & outside the shower



CAP STYLES		FINISHES
Contemporary (ends in 1)	Traditional (ends in 2)	
		Brushed Nickel (BN)
		Polished Chrome (PC)

T	Complete Kit	Plated Stainless Steel
Tile Thickness Range 5/32" - 1/2" (4mm - 13mm)	Tile Substrates 1/2" (pg 4) Integrate into Substrate	

Works with both wood and metal studs



Mates with  
(sold separately)

WG100-515  
Page 28

Model (SKU)	T200-041-BN*	T200-042-BN
	T200-041-PC	T200-042-PC

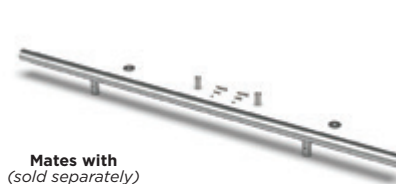
G	Complete Kit	Plated Stainless Steel
Gypsum Wallboard Surfaces	Wallboard Substrates (pg 5) 1/2" or 5/8", Attach to Blocking	

Works with both wood and metal studs



Model (SKU)	G200-041-BN*	G200-042-BN
	G200-041-PC	G200-042-PC

TX	Trim Only Kit	Plated Stainless Steel
Tile Thickness Range 5/32" - 1/2" (4mm - 13mm)		



Mates with  
(sold separately)

PT100-515  
Page 27

Model (SKU)	TX200-041-BN	TX200-042-BN
	TX200-041-PC	TX200-042-PC*

PT	Rough-In Only Kit	Stainless Steel
Tile Thickness Range 5/32" - 1/2" (4mm - 13mm)	Tile Substrates, 1/2" (pg 4) Integrate into Substrate	

Works with both wood and metal studs

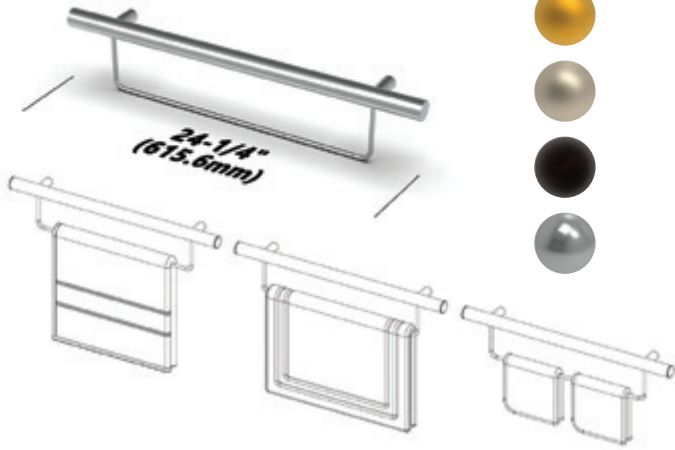


Model (SKU)	TX200-041-FINISH	TX200-042-FINISH	Mates with (sold separately)	WG100-515 Page 28
	PT100-515 Page 27		24" On Center 'Z' Wall Anchor For 36" & 42" Grab Bars	
			Equals 27-29% cost of Complete Kit (based on finish selected)	

# Victoria™ Series

## ADA Combination 24" Straight Grab Bar

Accessibility Grab Bars for inside & outside the shower



CAP STYLES		FINISHES
Contemporary (ends in 1)	Traditional (ends in 2)	
		Brushed Gold (BG)
		Brushed Nickel (BN)
		Oil Rub Bronze (ORB)
		Polished Chrome (PC)

T	Complete Kit	Plated Stainless Steel
Tile Thickness Range 5/32" - 1/2" (4mm - 13mm)		Tile Substrates 1/2" (pg 4) Integrate into Substrate

Works with both wood and metal studs



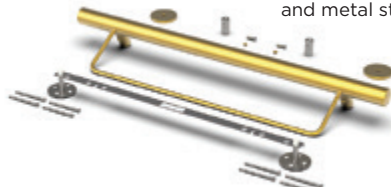
Mates with (sold separately)

WG100-509  
Page 28

Model (SKU)	T200-021-BG	T200-021-BN	T200-021-ORB
	T200-022-BG	T200-022-BN	T200-022-ORB*
	T200-021-PC	T200-022-PC	

G	Complete Kit	Plated Stainless Steel
Gypsum Wallboard Surfaces		Wallboard Substrates (pg 5) 1/2" or 5/8", Attach to Blocking

Works with both wood and metal studs



Model (SKU)	G200-021-BG	G200-021-BN	G200-021-ORB
	G200-022-BG*	G200-022-BN	G200-022-ORB
	G200-021-PC	G200-022-PC	

TX	Trim Only Kit	Plated Stainless Steel
Tile Thickness Range 5/32" - 1/2" (4mm - 13mm)		

Mates with (sold separately)

PT100-509  
Page 27

Model (SKU)	TX200-021-BG	TX200-021-BN	TX200-021-ORB
	TX200-022-BG	TX200-022-BN	TX200-022-ORB
	TX200-021-PC*	TX200-022-PC	

PT	Rough-In Only Kit	Stainless Steel
Tile Thickness Range 5/32" - 1/2" (4mm - 13mm)		Tile Substrates, 1/2" (pg 4) Integrate into Substrate

Works with both wood and metal studs

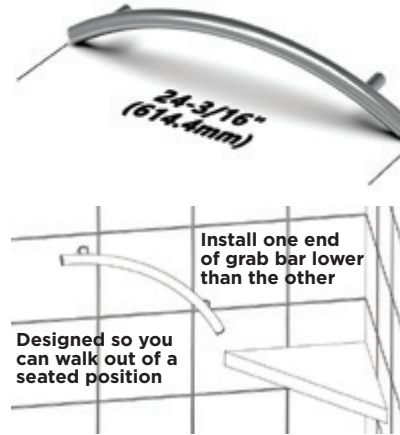


Model (SKU)	TX200-021-FINISH	TX200-022-FINISH	Mates with (sold separately)	WG100-509 Page 28
	PT100-509 Page 27	18" On Center 'Z' Wall Anchor For 24" Grab Bars		
	Equals 25-31% cost of Complete Kit (based on finish selected)			

# Victoria™ Series

## ADA 24" Curved Grab Bar

Accessibility Grab Bars for inside & outside the shower



CAP STYLES		FINISHES
Contemporary (ends in 1)	Traditional (ends in 2)	
		Brushed Gold (BG)
		Matte Black (BLK)
		Brushed Nickel (BN)
		Oil Rub Bronze (ORB)
		Polished Chrome (PC)

T	Complete Kit	Plated Stainless Steel
Tile Thickness Range 5/32" - 1/2" (4mm - 13mm)		Tile Substrates 1/2" (pg 4) Integrate into Substrate

Works with both wood and metal studs



Mates with (sold separately)

WG100-509  
Page 28

Model (SKU)	T201-011-BG	T201-011-BLK*	T201-011-BN
	T201-012-BG	T201-012-BLK	T201-012-BN
	T201-011-ORB	T201-011-PC	T201-012-PC

G	Complete Kit	Plated Stainless Steel
Gypsum Wallboard Surfaces		Wallboard Substrates (pg 5) 1/2" or 5/8", Attach to Blocking

Works with both wood and metal studs



Model (SKU)	G201-011-BG	G201-011-BLK	G201-011-BN
	G201-012-BG	G201-012-BLK	G201-012-BN
	G201-011-ORB*	G201-011-PC	G201-012-PC

TX	Trim Only Kit	Plated Stainless Steel
Tile Thickness Range 5/32" - 1/2" (4mm - 13mm)		

Mates with (sold separately)

PT100-509  
Page 27

Model (SKU)	TX201-011-BG	TX201-011-BLK	TX201-011-BN
	TX201-012-BG	TX201-012-BLK	TX201-012-BN*
	TX201-011-ORB	TX201-011-PC	TX201-012-PC

PT	Rough-In Only Kit	Stainless Steel
Tile Thickness Range 5/32" - 1/2" (4mm - 13mm)		Tile Substrates, 1/2" (pg 4) Integrate into Substrate

Works with both wood and metal studs



Model (SKU)	TX201-011-FINISH	TX201-012-FINISH	Mates with (sold separately)	WG100-509 Page 28
	PT100-509 Page 27	18" On Center 'Z' Wall Anchor For 24" Grab Bars		
	Equals 28-33% cost of Complete Kit (based on finish selected)			

# Victoria™ Series

## ADA Combination 24" Curved Grab Bar

Accessibility Grab Bars for inside & outside the shower



CAP STYLES		FINISHES
Contemporary (ends in 1)	Traditional (ends in 2)	
		Brushed Gold (BG)
		Brushed Nickel (BN)
		Oil Rub Bronze (ORB)
		Polished Chrome (PC)

T	Complete Kit	Plated Stainless Steel
Tile Thickness Range 5/32" - 1/2" (4mm - 13mm)		Tile Substrates 1/2" (pg 4) Integrate into Substrate

Works with both wood and metal studs



Mates with  
(sold separately)

WG100-509  
Page 28

Model (SKU)	T201-021-BG T201-022-BG	T201-021-BN T201-022-BN	T201-021-ORB T201-022-ORB
	T201-021-PC T201-022-PC*		

G	Complete Kit	Plated Stainless Steel
Gypsum Wallboard Surfaces		Wallboard Substrates (pg 5) 1/2" or 5/8", Attach to Blocking

Works with both wood and metal studs



Model (SKU)	G201-021-BG G201-022-BG	G201-021-BN G201-022-BN*	G201-021-ORB G201-022-ORB
	G201-021-PC G201-022-PC		

TX	Trim Only Kit	Plated Stainless Steel
Tile Thickness Range 5/32" - 1/2" (4mm - 13mm)		

Mates with  
(sold separately)

PT100-509  
Page 27

Model (SKU)	TX201-021-BG* TX201-022-BG	TX201-021-BN TX201-022-BN	TX201-021-ORB TX201-022-ORB
	TX201-021-PC TX201-022-PC		

PT	Rough-In Only Kit	Stainless Steel
Tile Thickness Range 5/32" - 1/2" (4mm - 13mm)		Tile Substrates, 1/2" (pg 4) Integrate into Substrate

Works with both wood and metal studs

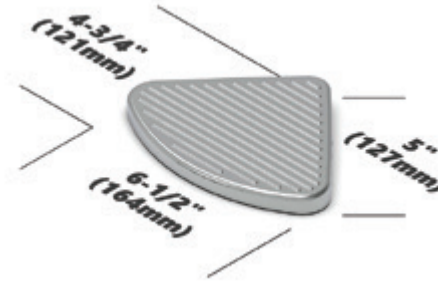


Model (SKU)	TX201-021-FINISH TX201-022-FINISH	Mates with (sold separately)	WG100-509 Page 28
	PT100-509 Page 27	18" On Center 'Z' Wall Anchor For 24" Grab Bars	
		Equals 25-31% cost of Complete Kit (based on finish selected)	

# Victoria™ Series

## Foot Prop

Assist & leg shaving foot rest... hotelier utility



FINISHES
Brushed Gold (BG)
Matte Black (BLK)
Brushed Nickel (BN)
Oil Rub Bronze (ORB)
Polished Chrome (PC)

T	Complete Kit	Plated Zinc
Tile Thickness Range 5/32" - 1/2" (4mm - 13mm)		Tile Substrates Surface Mount to Substrate



Model (SKU)	T210-001-BG T210-001-ORB*	T210-001-BLK T210-001-PC	T210-001-BN
-------------	------------------------------	-----------------------------	-------------



TX	Trim Only Kit	Plated Zinc
Tile Thickness Range 5/32" - 1/2" (4mm - 13mm)		

Mates with  
(sold separately)

PT100-513  
Page 27

Model (SKU)	TX210-001-BG TX210-001-ORB	TX210-001-BLK TX210-001-PC*	TX210-001-BN
-------------	-------------------------------	--------------------------------	--------------

PT	Rough-In Only Kit	Stainless Steel
Tile Thickness Range 5/32" - 1/2" (4mm - 13mm)		Tile Substrates Surface Mount to Substrate

Mates with  
(sold separately)

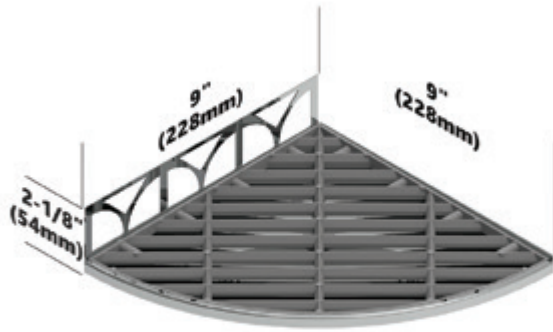
TX210-001-FINISH

Model (SKU)	PT100-513 Page 27	Foot Prop Wall Anchor
		Equals 29-37% cost of Complete Kit (based on finish selected)

# Structural Surfaces™ Series

## Claddy-T™ Shelf (Tile-over Tray)

Corner shelf mates with glass on page 25



### FINISHES

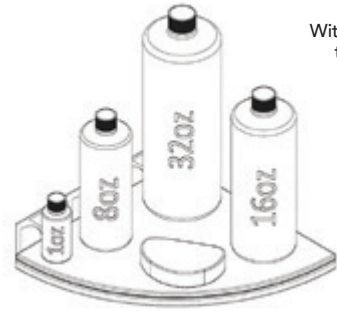
Brushed Gold (BG)

Matte Black (BLK)

Brushed Stainless (BN)

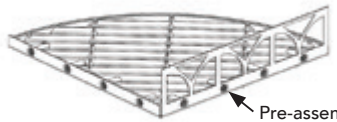
Oil Rub Bronze (ORB)

Polished Chrome (PC)

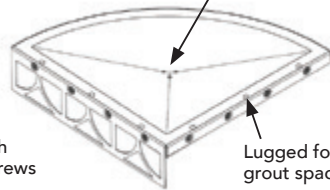


With exclusive PermaTile™ thinset anchoring flange

Tray is pre-sloped



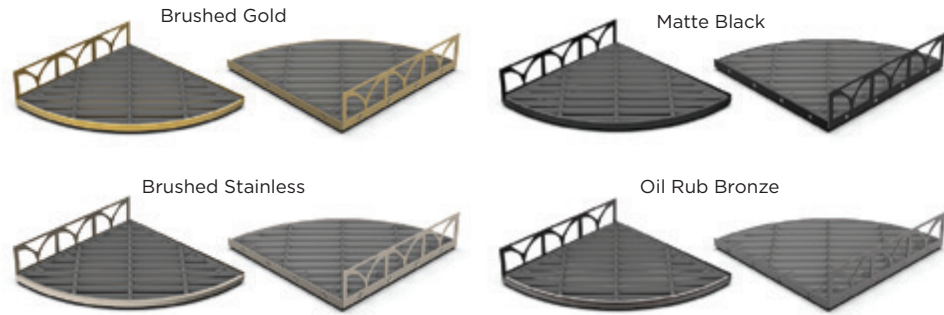
Pre-assembled with 8 stainless steel screws



With drainage holes

Lugged for grout spacing

T	Complete Kit	Stainless Steel	Mates with (sold separately)
	Tile Thickness Range 5/32" - 1/2" (4mm - 13mm)	Tile Substrates Surface Mount to Substrate	T400-001-COLOR Page 29

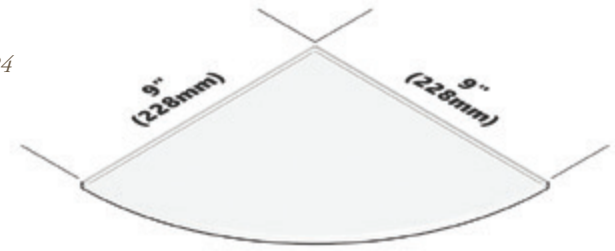


Model (SKU)	T300-001-BG	T300-001-BLK	T300-001-BN
	T300-001-ORB	T300-001-PC	

# Bella Vetro™ Series

## Glass Tile Shelving (6mm)

Glass mates with corner shelf on page 24



### Combine Claddy-T™ & Bella Vetro™ Glass in 3 Easy Steps



Fill tray with thinset\*

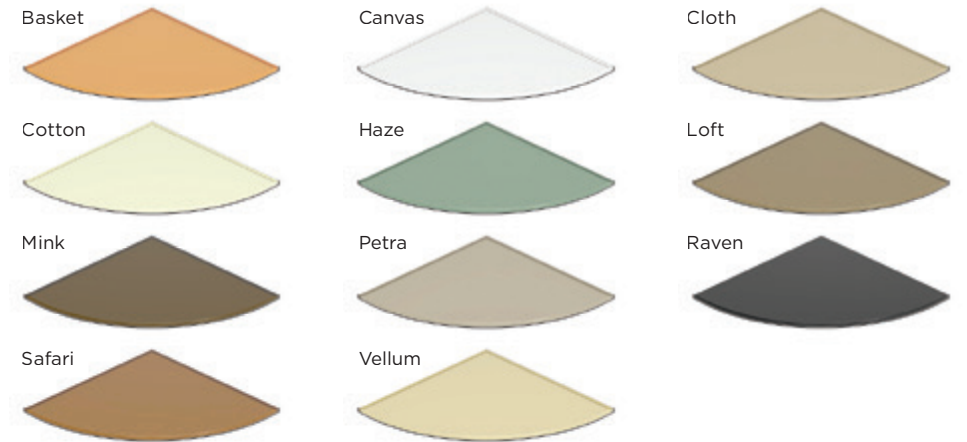
Back butter glass with thinset\*  
Optionally replace glass with:  
natural stone, porcelain, ceramic or mosaics

Assemble together

Actual Bella Vetro™ color hand board visible at authorized TileWare reseller



T	Individual Carton	Fused Glass	Mates with (sold separately)
	Tile Thickness Range 5/32" - 1/2" (4mm - 13mm)	Glass Tile Shelving is manufactured by fusing clear glass with ceramic glazes at a high temperature	T300-001-FINISH Page 28



Model (SKU)	T400-001-COLOR
	All shelves are 6mm thickness. Glass Tile Shelving works ONLY with our Structural Surfaces™ Series Claddy-T™ Shelf (Tile-over Tray)


# PermaTile™ Series

## Rough-In Tile Wall Anchors


Always keep your tile project moving with Rough-In!


### Anchoring Features and Benefits:


1. Anchors that Never Fail
2. Super Strong – Like Rebar in Cement
3. Stainless Construction – Will Not Rust
4. Stops Unwarranted Hole Drilling
5. Protects Waterproofing Systems
6. Professional Anchoring Technology
7. Tile Exclusive System
8. Easy to Install & Maintenance Free
9. Tested by the TCNA
10. Installs with Machine Screws NOT Wood Screws


PT	Rough-In Only Kit	Stainless Steel
Tile Thickness Range 5/32"– 1/2" (4mm – 13mm)		Tile Substrates (pg 4) Surface Mount to Substrate
		
Model (SKU)	PT100-504	Square Wall Anchor
Mates with (sold separately)		
TX100-001-FINISH		Page 4

PT	Rough-In Only Kit	Stainless Steel
Tile Thickness Range 5/32"– 1/2" (4mm – 13mm)		Tile Substrates, 1/2" (pg 4) Integrate into Substrate
		
Model (SKU)	PT100-509	18" On Center 'Z' Wall Anchor For 24" Grab Bars
Mates with (sold separately)		
TX200-011-FINISH	TX200-012-FINISH	Page 17
TX200-021-FINISH	TX200-022-FINISH	Page 20
TX201-011-FINISH	TX201-012-FINISH	Page 21
TX201-021-FINISH	TX201-022-FINISH	Page 22


PT	Rough-In Only Kit	Stainless Steel
Tile Thickness Range 5/32"– 1/2" (4mm – 13mm)		Tile Substrates (pg 4) Surface Mount to Substrate
		
Model (SKU)	PT100-511	'X' Corner Wall Anchor
Mates with (sold separately)		
TX100-050-FINISH		Page 9

PT	Rough-In Only Kit	Stainless Steel
Tile Thickness Range 5/32"– 1/2" (4mm – 13mm)		Tile Substrates (pg 4) Surface Mount to Substrate
		
Model (SKU)	PT100-505	Rectangular Wall Anchor
Mates with (sold separately)		
TX100-002-FINISH		Page 5
TX100-030-FINISH		Page 8
TX100-060-FINISH		Page 10

PT	Rough-In Only Kit	Stainless Steel
Tile Thickness Range 5/32"– 1/2" (4mm – 13mm)		Tile Substrates (pg 4) Surface Mount to Substrate
		
Model (SKU)	PT100-506	Corner Wall Anchor
Mates with (sold separately)		
TX100-003-FINISH		Page 6
TX100-004-FINISH		Page 7


PT	Rough-In Only Kit	Stainless Steel
Tile Thickness Range 5/32"– 1/2" (4mm – 13mm)		Tile Substrates Surface Mount to Substrate
		
Model (SKU)	PT100-513	Foot Prop Wall Anchor
Mates with (sold separately)		
TX210-001-FINISH		Page 23

PT	Rough-In Only Kit	Stainless Steel
Tile Thickness Range 5/32"– 1/2" (4mm – 13mm)		Tile Substrates, 1/2" (page 4) Integrate into Substrate
		
Model (SKU)	PT100-514	12" On Center 'Z' Wall Anchor For 18" Grab Bars
Mates with (sold separately)		
TX200-001-FINISH	TX200-002-FINISH	Page 16

PT	Rough-In Only Kit	Stainless Steel
Tile Thickness Range 5/32"– 1/2" (4mm – 13mm)		Tile Substrates (pg 4) Surface Mount to Substrate
		
Model (SKU)	PT100-507	Round Wall Anchor
Mates with (sold separately)		
TX101-111-FINISH	TX101-112-FINISH	Page 11
TX101-211-FINISH	TX101-212-FINISH	Page 12
TX101-311-FINISH	TX101-312-FINISH	Page 13

PT	Rough-In Only Kit	Stainless Steel
Tile Thickness Range 5/32"– 1/2" (4mm – 13mm)		Tile Substrates (pg 4) Surface Mount to Substrate
		
Model (SKU)	PT100-508	18" On Center Round Wall Anchor
Mates with (sold separately)		
TX102-011-FINISH	TX102-012-FINISH	Page 14

**WHEN INSTALLING ROUGH-IN WALL ANCHORS  
USE ONLY LATEX-MODIFIED THINSET THAT MEET  
ANSI A118.4/A118.15 PERFORMANCE STANDARDS**

PT	Rough-In Only Kit	Stainless Steel
Tile Thickness Range 5/32"– 1/2" (4mm – 13mm)		Tile Substrates, 1/2" (pg 4) Integrate into Substrate
		
Model (SKU)	PT100-515	24" On Center 'Z' Wall Anchor For 36" & 42" Grab Bars
Mates with (sold separately)		
TX200-031-FINISH	TX200-032-FINISH	Page 18
TX200-041-FINISH	TX200-042-FINISH	Page 19

PT	Rough-In Only Kit	Stainless Steel
Tile Thickness Range 5/32"– 1/2" (4mm – 13mm)		Tile Substrates (pg 4) Surface Mount to Substrate
		
Model (SKU)	PT100-516	5-1/2" On Center Round Wall Anchor
Mates with (sold separately)		
TX105-011-FINISH	TX105-012-FINISH	Page 15

## Secure™ Series Waterproofing Membranes

Waterproof wall anchoring w/ bonded shower systems

Combine **WG100-509** with **PT100-509**

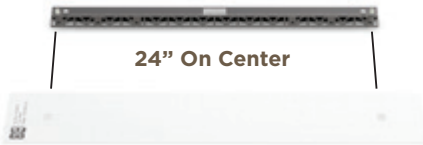


This product works similarly to other waterproofing banding and seal tape products. Use only tile-specific waterproof membranes with an embedded non-woven fleece fiber. Use a 1/4" x 3/16" V-notch towel (or similar). Press TileWare's waterproofing gasket into thinsset and substrate using the flat side of a trowel or a 6" taping knife. (Please refer to instruction instructions before installing)

Combine **WG100-514** with **PT100-514**



Combine **WG100-515** with **PT100-515**



## Waterproofing Features and Benefits:

1. Works with Foam, Sheet, or Liquid
2. Install with A118.4 or A118.15 thinsset
3. One piece install with rubberized collars
4. Waterproofs with 'Z' anchor mountings

WG	Gasket Only	Non-woven Fleece Bonding Membrane	
<b>Tile Installation</b>	<b>5/32"- 1/2" (4mm - 13mm)</b>	<b>Tile Substrates</b> Surface Mount to Substrate	
<b>Model (SKU)</b>	<b>WG100-509</b>	<b>18" On Center Waterproofing Gasket For 24" Grab Bars</b>	
<b>Mates with (sold separately)</b>			
T200-011-FINISH T200-012-FINISH	Page 17	<b>PT100-509</b>	Page 27
T200-021-FINISH T200-022-FINISH	Page 20	<b>PT100-509</b>	Page 27
T201-011-FINISH T201-012-FINISH	Page 21	<b>PT100-509</b>	Page 27
T201-021-FINISH T201-022-FINISH	Page 22	<b>PT100-509</b>	Page 27

WG	Gasket Only	Non-woven Fleece Bonding Membrane	
<b>Tile Installation</b>	<b>5/32"- 1/2" (4mm - 13mm)</b>	<b>Tile Substrates</b> Surface Mount to Substrate	
<b>Model (SKU)</b>	<b>WG100-514</b>	<b>12" On Center Waterproofing Gasket For 18" Grab Bars</b>	
<b>Mates with (sold separately)</b>			
T200-001-FINISH T200-002-FINISH	Page 16	<b>PT100-514</b>	Page 27

WG	Gasket Only	Non-woven Fleece Bonding Membrane	
<b>Tile Installation</b>	<b>5/32"- 1/2" (4mm - 13mm)</b>	<b>Tile Substrates</b> Surface Mount to Substrate	
<b>Model (SKU)</b>	<b>WG100-515</b>	<b>24" On Center Waterproofing Gasket For 36" &amp; 42" Grab Bars</b>	
<b>Mates with (sold separately)</b>			
T200-031-FINISH T200-032-FINISH	Page 18	<b>PT100-515</b>	Page 27
T200-041-FINISH T200-042-FINISH	Page 19	<b>PT100-515</b>	Page 27

## Kit Color Codes

Packaging codes apply to all product categories

**T Complete Kit**

**Tile Thickness Range**  
5/32"- 1/2" (4mm - 13mm)

Kit includes: (1) PermaTile™ Rough-In Anchor with all the trim & screw components necessary to complete one tile installation



Pictured: T101-211-PC

**TX Trim Only Kit**

**Tile Thickness Range**  
5/32"- 1/2" (4mm - 13mm)

Kit includes: trim & screw components (only) for one tile installation. Mating PermaTile™ Rough-In Anchor packed and sold separately



Pictured: TX101-211-ORB

**PT Rough-In Only Kit**

**Tile Thickness Range**  
5/32"- 1/2" (4mm - 13mm)

Kit includes: (1) PermaTile™ Rough-In Anchor (only) for one tile installation. Mating trim & screw components packed and sold separately



Pictured: PT100-507

**WG Membrane Only**

**Tile Thickness Range**  
5/32"- 1/2" (4mm - 13mm)

Kit includes: (1) Waterproofing membrane (only) for one tile installation. Mating trim & screw components (TX) and/or PermaTile™ Rough-In Anchor (PT) are packed and sold separately



Pictured: WG100-509

**G Complete Kit**

**Gypsum Wallboard Surfaces**  
1/2" or 5/8" (Attaches to blocking)

Kit includes: Anchor/s with all the trim & screw components necessary to complete one gypsum wallboard (drywall) installation



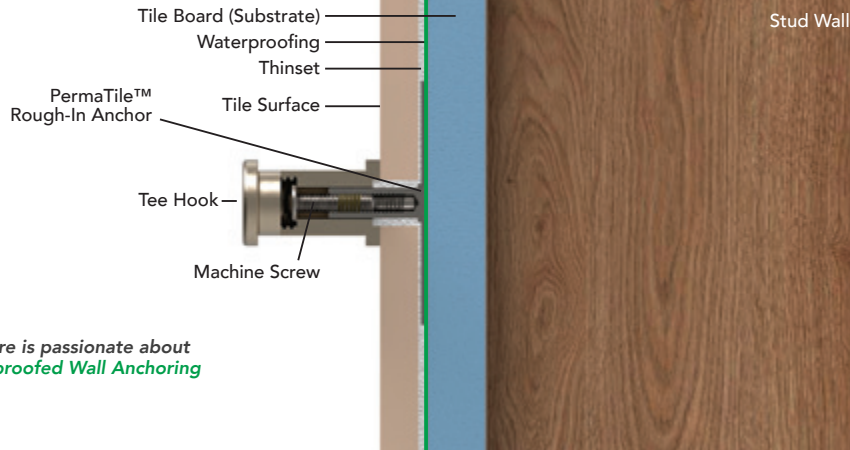
Pictured: G101-212-BN

# Installations that occur with tile, not after

## Organization Products

T	Installation Type	Anchor	Tile Thickness Range	Compatible Substrates	
	Tile	PermaTile™ Rough-In	5/32" – 1/2" (4mm – 13mm)	<ul style="list-style-type: none"> <li>All Cementitious</li> <li>All Foam-core</li> <li>Sheet membrane</li> <li>Liquid membrane</li> </ul>	<ul style="list-style-type: none"> <li>Waterproof system</li> <li>Use in wet &amp; dry areas</li> </ul>

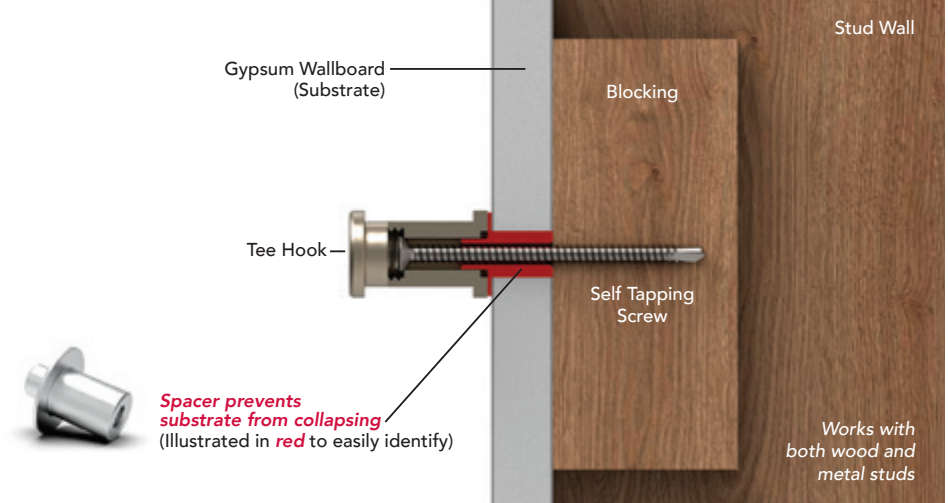
USE ONLY LATEX-MODIFIED THINSET THAT MEET ANSI A118.4/A118.15 PERFORMANCE STANDARDS



# Installations for Gypsum Wallboard (drywall) requiring blocking

## Organization Products

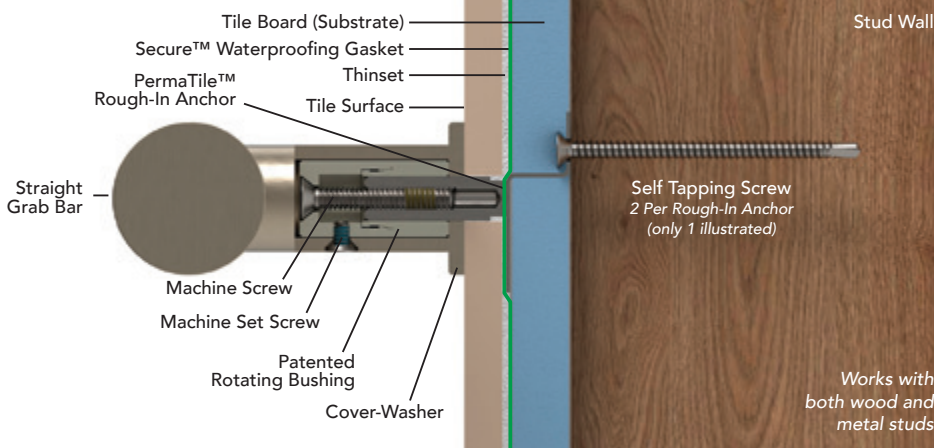
G	Installation Type	Anchor	Tile Thickness Range	Compatible Substrates	
	Gypsum Wallboard (drywall)	Spacer	n/a	Wallboard 1/2"	FOR DRY AREAS ONLY



## Accessibility ADA Grab Bars

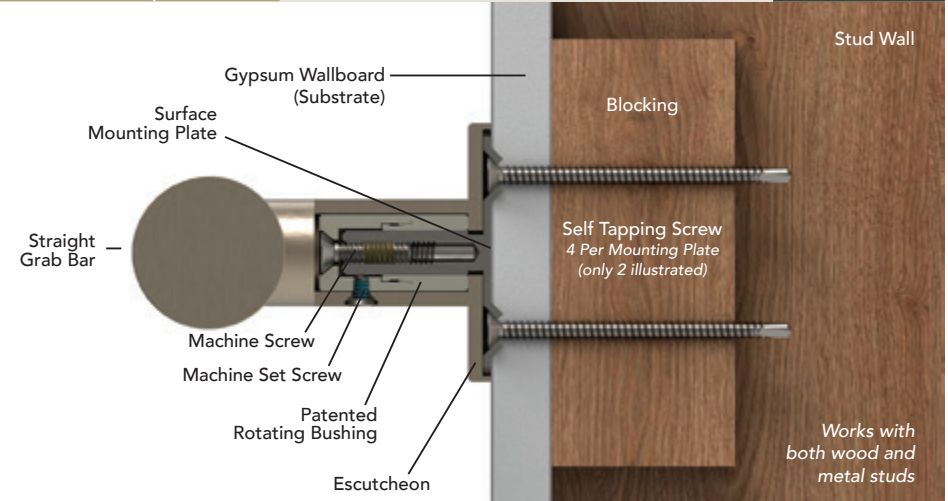
T	Installation Type	Anchor	Tile Thickness Range	Compatible Substrates	
	Tile	PermaTile™ Rough-In	5/32" – 1/2" (4mm – 13mm)	<ul style="list-style-type: none"> <li>1/2" Cementitious</li> <li>1/2" Foam-core</li> <li>Sheet membrane</li> <li>Liquid membrane</li> </ul>	<ul style="list-style-type: none"> <li>Waterproof system</li> <li>Use in wet &amp; dry areas</li> </ul>

USE ONLY LATEX-MODIFIED THINSET THAT MEET ANSI A118.4/A118.15 PERFORMANCE STANDARDS



## Accessibility ADA Grab Bars

G	Installation Type	Anchor	Tile Thickness Range	Compatible Substrates	
	Gypsum Wallboard (drywall)	Surface Mounting Plate	n/a	Wallboard 1/2" or 5/8"	FOR DRY AREAS ONLY





# This chart explains how TileWare works with your tile shower materials

1	Material Categories	2	Points to Learn About	3	Important Selection and Installation Details
ALWAYS SELECT TILE & ACCESSORIES TOGETHER	Tile	Tile Thicknesses	PermaTile™ Rough-In Anchors generally work with tile thicknesses from 5/32" to 1/2" (4mm – 13mm).		
		Tile Anchoring Locations	Anchors can be located in the grout joint or drilled into the tile body.		
	Accessories	Organization: Baskets and Shelving	Both single and corner wall baskets are available. Great for salon containers and bar soaps. Position above or below the shower valve trim without violating waterproofing or plumbing. As an additional solution, use in applications where the structure prohibits niches or on masonry walls.		
		Organization: Hooks	Organize anything that hangs with a rope: soaps, poufs, scrubbers, sponges, loofahs, body brushes, robes, squeegees, towels and washcloths, shower caps, toys and clothing. Great in conjunction with niches.		
		Organization: Towel Bars	Organize washcloths inside the shower or bath mats and towels outside the shower. Great in conjunction with niches.		
		Organization: Claddy-T™ Corner Shelving	Metal corner shelving with colored fused glass. 11 pre-sized glass tile colors available. Can also install natural stone, porcelain and ceramic (even mosaics) in the metal tray. Pre-sloped for drainage and lugged for grout spacing.		
		Accessibility: Grab Bars	ADA compliant grab bars that don't look institutional. Minimal design with small escutcheons and wall terminations. Can position straight models horizontally, diagonally or vertically. Curved grab bars also available to assist with sitting and standing where a seat is needed.		
Accessibility: Foot Prop	Assistive foot rest for shaving legs and washing lower extremities. Includes low profile treads for slip resistance. Great for use in the hospitality industry.				
USE THE RIGHT METHODS, MATERIALS & WATERPROOFING	Thinset, Tinting & Tools	General Accessory PermaTile™ Rough-In Anchors	General accessory Rough-In Anchors, made from stainless steel. Engineered to install on top of waterproofed substrates. Anchors are positioned and installed behind tile in A118.4 or A118.15 thinset adhesives.		
		Grab Bars PermaTile™ Rough-In 'Z' Anchors	Grab Bar Rough-In 'Z' Anchors, made from stainless steel. Engineered to install with tile substrates. After waterproofing, install tile using A118.4 or A118.15 thinset adhesives.		
		Drilling	With general accessory anchors and when installing grab bars with small format tiles, use a 3/8" or 10mm diamond core bit to drill the hole/s necessary to accommodate Rough-In Anchors. For large format tiles, we provide a cover-washer option for grab bars that allows up to a 3/4" or 20mm diamond core bit so thinset ridges can be collapsed.		
		Mounting Accessories/ Trim	Before mounting accessories on tile surfaces, Rough-In Anchors must cure in thinset for 24 hours. Accessories can be immediately installed after grouting.		
Waterproofing	Waterproofing	Foam-core Systems	PermaTile™ Rough-In 'Z' Anchor needs to be attached to wood or metal studs in 2 locations. Rough-In 'Z' Anchors will waterproof with foam-core bonded shower systems or approved polyurethane-based adhesive sealant systems. Tile is then installed on top of waterproofed system using A118.4 or A118.15 thinset adhesives.		
		Sheet Membrane Systems	PermaTile™ Rough-In 'Z' Anchor needs to be attached to wood or metal studs in 2 locations. Rough-In 'Z' Anchors will waterproof with (thinset applied) sheet membrane systems. Tile is then installed on top of waterproofed system using A118.4 or A118.15 thinset adhesives.		
		Liquid Membrane Systems	PermaTile™ Rough-In 'Z' Anchor needs to be attached to wood or metal studs in 2 locations. Rough-In 'Z' Anchors will waterproof with liquid applied membrane systems that have the capacity to adhere to stainless steel. Tile is then installed on top of waterproofed system using A118.4 or A118.15 thinset adhesives.		
		Waterproofing Weld Projections	Use TileWare's Secure™ Waterproof Gaskets with rubberized flexible collars to create a seamless and watertight connection over weld projections. Gasket models are equipped with (2) holes that will match the separation between projections. Bond gaskets to waterproof substrates using A118.4 or A118.15 thinset adhesives.		



[tilewareproducts.com](http://tilewareproducts.com)  
[info@tilewareproducts.com](mailto:info@tilewareproducts.com)  
 Technical Support: (828)-322-9273  
 Hickory, NC (EST)