



Promessa™ Series Rectangular Soap Basket

Revised: 8/21/17

Installation Procedures (Gypsum Wallboard/Drywall Surfaces)

**Model G100-001
Rectangular
Soap Basket**

G100-001-PC



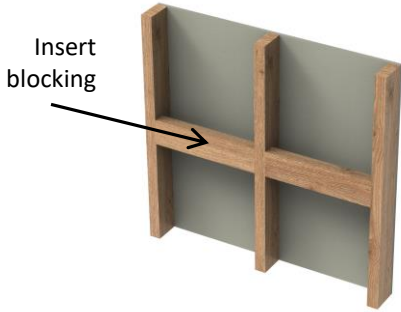
G100-001-BN



G100-001-ORB



STEP 1 Insert Blocking

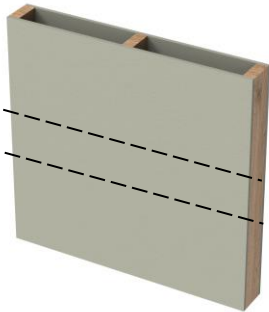


- Insert no less than 2" x 4" wood blocking or locate in vertical stud.

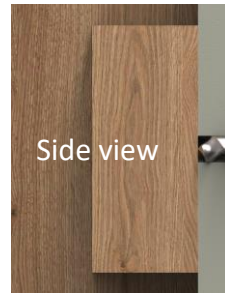
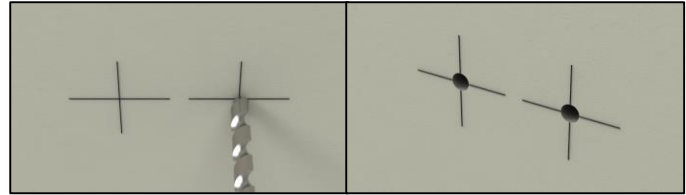
Warning: FASTENER SYSTEM ONLY WORKS WITH WOOD BLOCKING

(DO NOT USE WALL ANCHORS WITH THIS SYSTEM)

STEP 2 Locate Wood Blocking



STEP 4 Drill 3/8" Holes

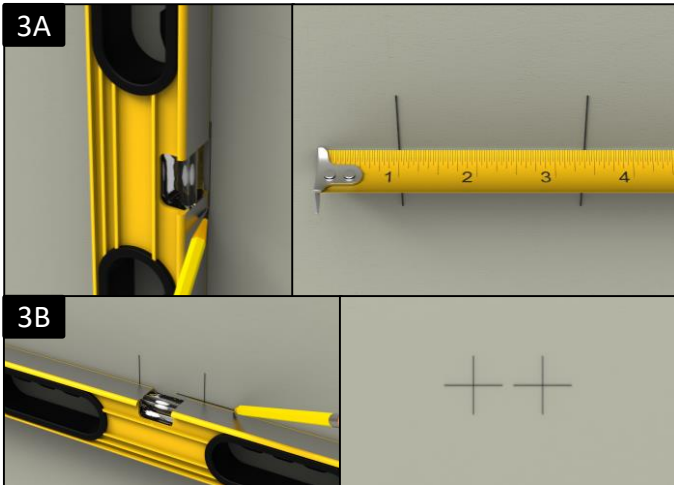


Side view

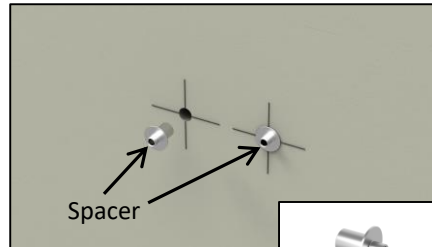
Warning: Do not drill deeper than the thickness of gypsum wallboard (drywall) material.

- Drill a 3/8" hole (right and left sides) in gypsum wallboard (drywall) to accommodate spacer in step 5. Place some tape on the drill to mark drill depth. (Example: If wallboard material is 1/2" thickness, only drill that depth. Do not drill into wood blocking). See 'Side view' diagram above.

STEP 3 Create Level Lines

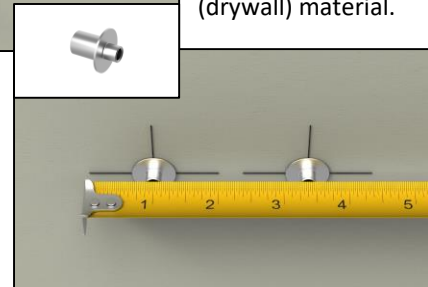


STEP 5 Insert Spacers



- Insert both left and right spacers into drilled holes. Press in firmly so that flange mounts flush with gypsum wallboard (drywall) material.

- After inserting spacers, use a tape measure (as illustrated) to ensure center to center is 2 3/8" as described in 3A.



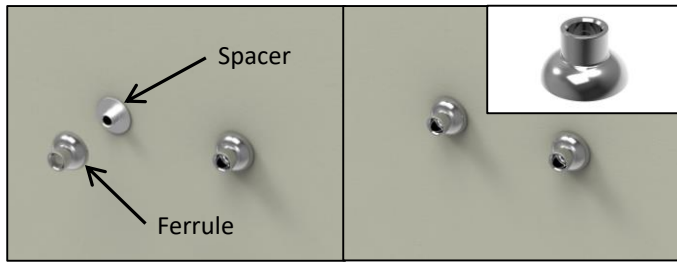
- As illustrated in 3A - Use a level to determine position of right spacer and mark a vertical line. Measure precisely 2 3/8" from this line to locate the position of left spacer.
- As illustrated in 3B - Repeat the process above horizontally.

Technical Fact:

Spacer prevents gypsum wallboard (drywall) from collapsing at drilled hole. Additionally, protects from over-tightening screw which can draw the accessory into the gypsum wallboard (drywall) material.

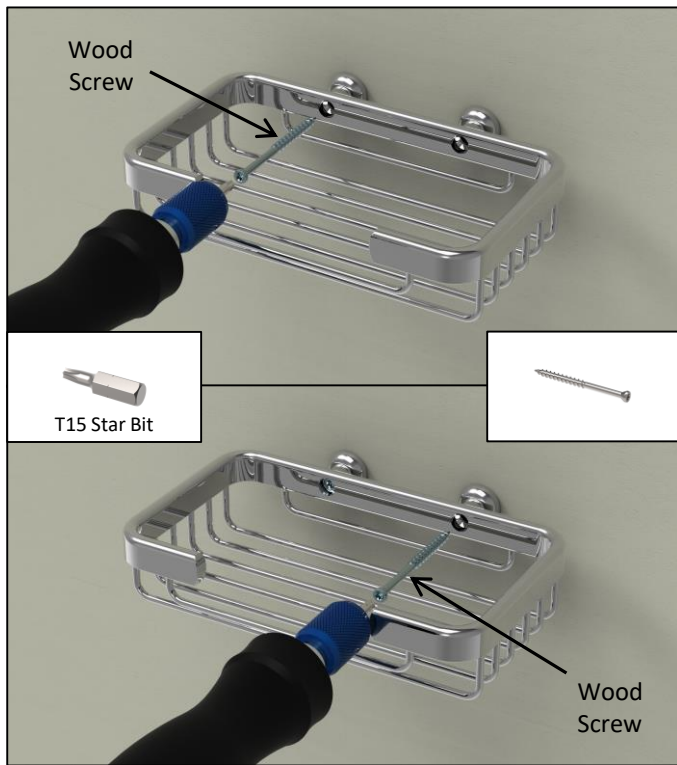


STEP 6 Install Ferrules



• Simply slip ferrules over spacers.

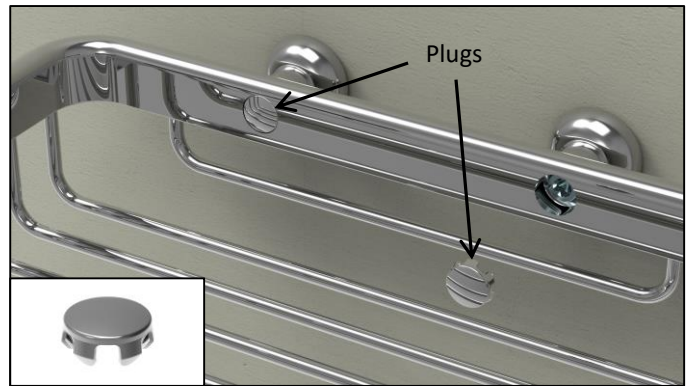
STEP 7 Mount Basket With Screws



• Mount basket with stainless steel wood screws, both left and right sides, with provided star drive bit in kit (or any T15 star drive bit) using a multi-bit screwdriver or power drill.

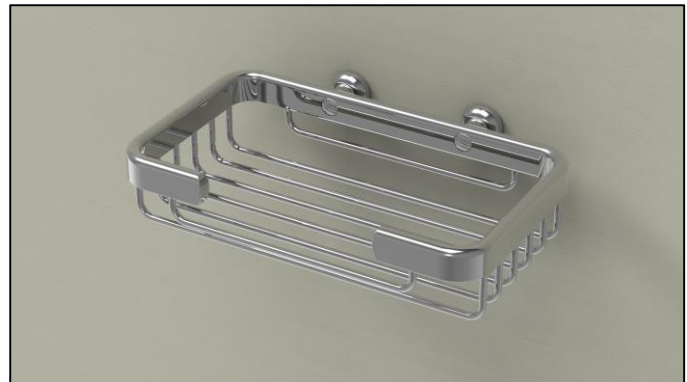
Soap Basket Parts List

STEP 8 Install Decorative Plugs



• Install decorative plugs. Easier if all prongs enter hole then press firmly.

STEP 9 Installation Complete



Thank you for using our products!

TileWare Products

PO Box 793, Hickory, NC 28603

Technical Support: 828-322-9273

Email: info@tilewareproducts.com

www.tilewareproducts.com

Basket quantity 1 per kit	Spacer quantity 2 per kit	Standard Ferrule quantity 2 per kit	Decorative Plug quantity 2 per kit	Wood Screw quantity 2 per kit	Star Drive Bit-T15 quantity 1 per kit
255976	C200-044	255245	243168	C200-048	C200-049