

# PART SPECIFICATION SHEET

**PART: PT100-513**

PERMATILE™ 'ROUGH-IN' FASTENER FOR TILE THICKNESSES FROM - 5/32" TO 1/2" ONLY  
 FASTENERS CONFIGURED SPECIFICALLY FOR TILEWARE ACCESSORIES  
 MORTAR-BASED INSTALLATION SYSTEM - NO MASTIC OR ORGANIC ADHESIVE ALLOWED!  
 REFER TO INSTALLATION INSTRUCTIONS BEFORE USE

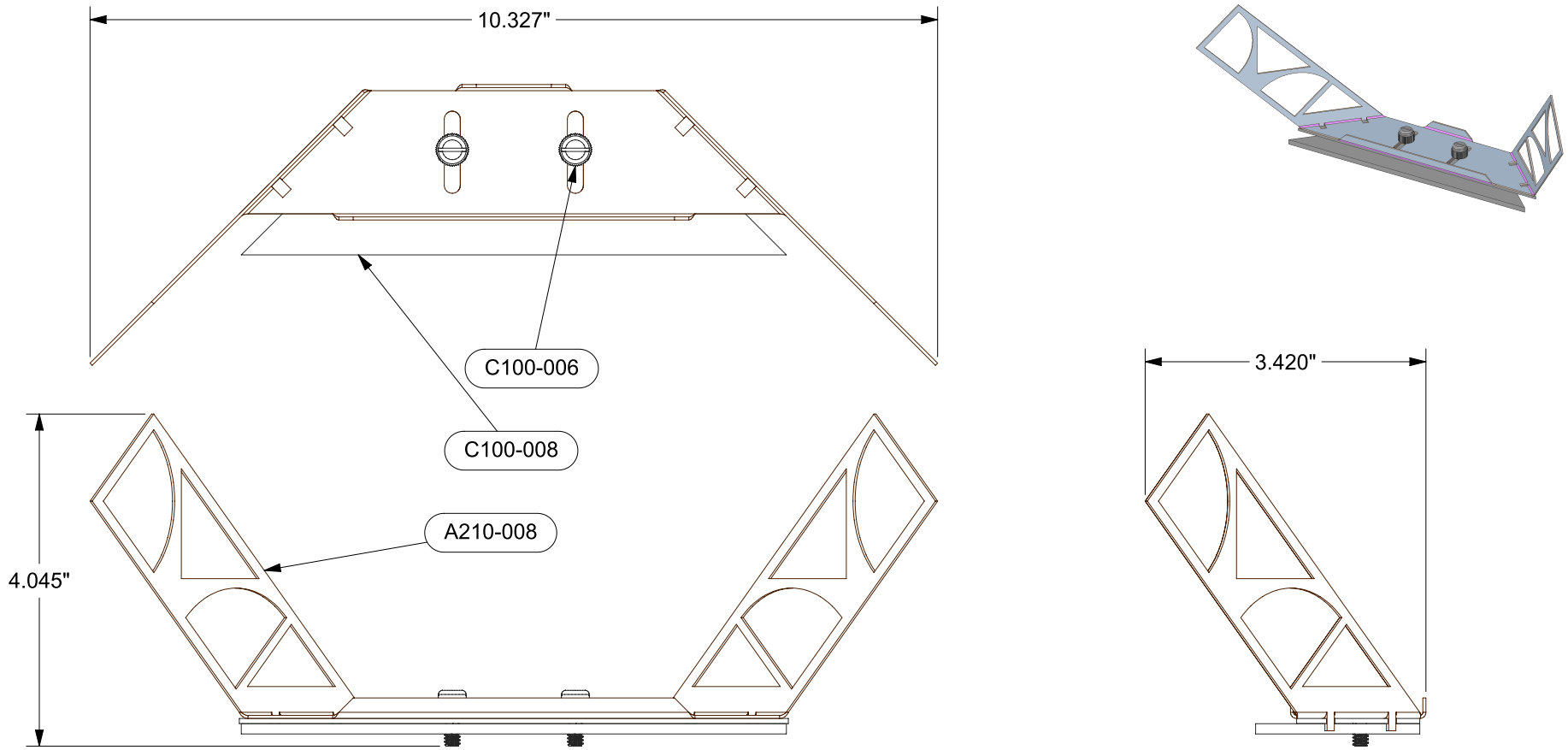
PERMATILE™

'ROUGH-IN' FOOT PROP FASTENER

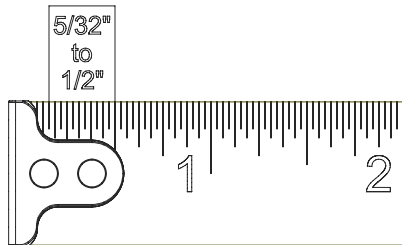
STAINLESS STEEL

COMPATIBLE WITH LISTED MODELS

T210-001



WORKS WITH ALL MATERIAL THICKNESSES



ERP PART #	REFERENCED ABOVE	APPROVALS	DATE
DWG #	502	RLS	12/8/14
SHEET 1 OF 1	SCALE 1:2		
WEIGHT:	0.331 LB	CUBED:	2.233 IN <sup>3</sup>

TW-ENG9



**TileWare Products**  
 www.tilewareproducts.com

Office (828) 322-9273 Fax (828) 304-1076