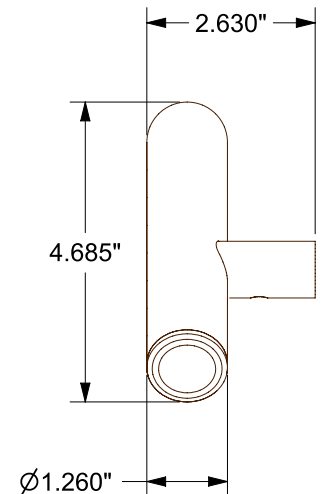
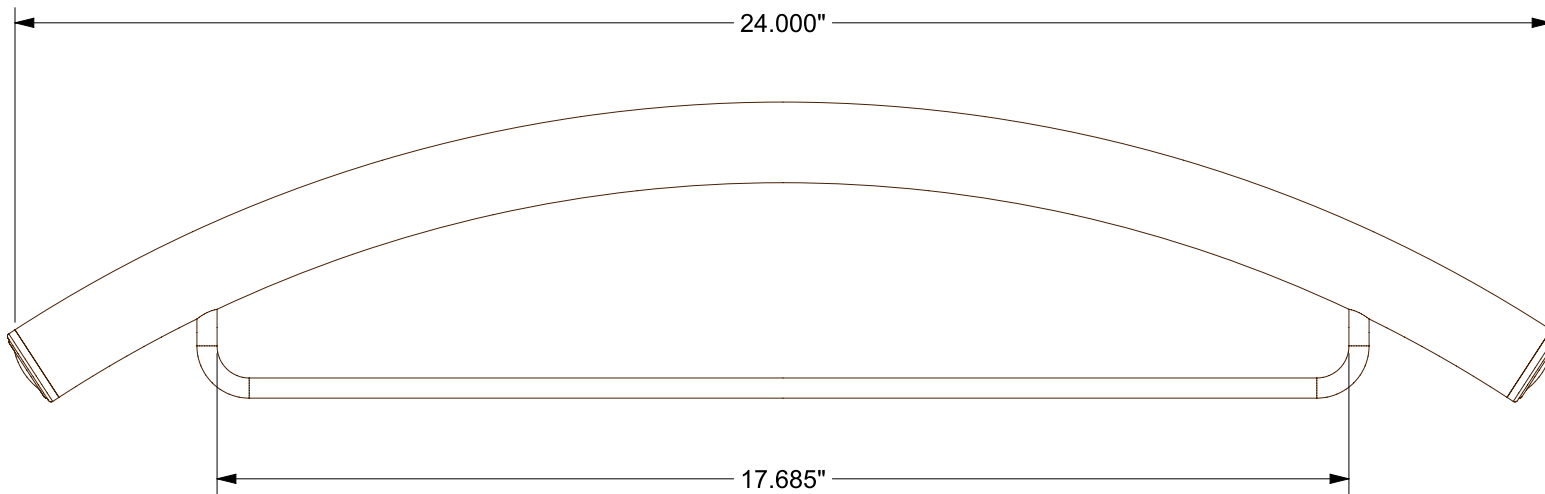
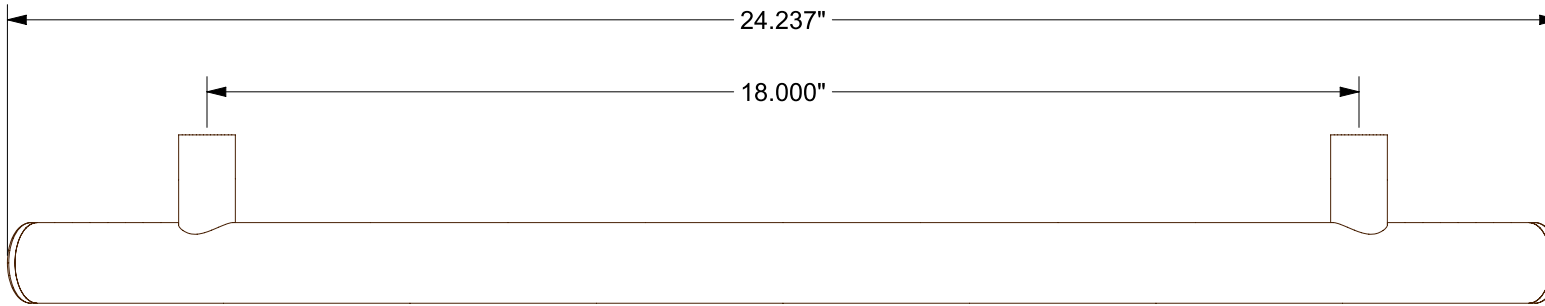
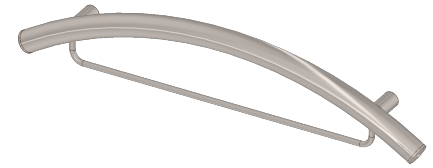


PART SPECIFICATION SHEET

T201-022 - VICTORIA™ SERIES COMBINATION 24" STRAIGHT GRAB (TRADITIONAL CAP)
 WITH PERMATILE™ INSTALLATION KIT



WEIGHT: 2.180 LB
CUBED: 7.124 IN³

ERP PART #	A223-242	APPROVALS	DATE
DWG #	439	RLS	8/11/14
SHEET 1 OF 1	SCALE 1:3		

FORM # - ENG4



TilwareProducts, LLC
 www.tilwareproducts.com
 Office (828) 322-9273 Fax (828) 304-1076