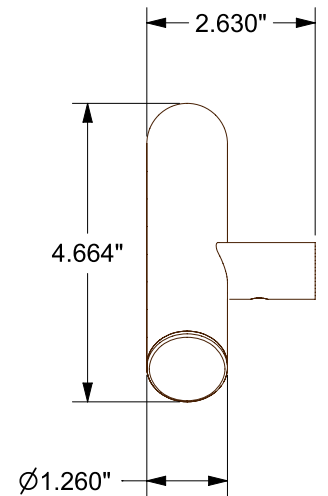
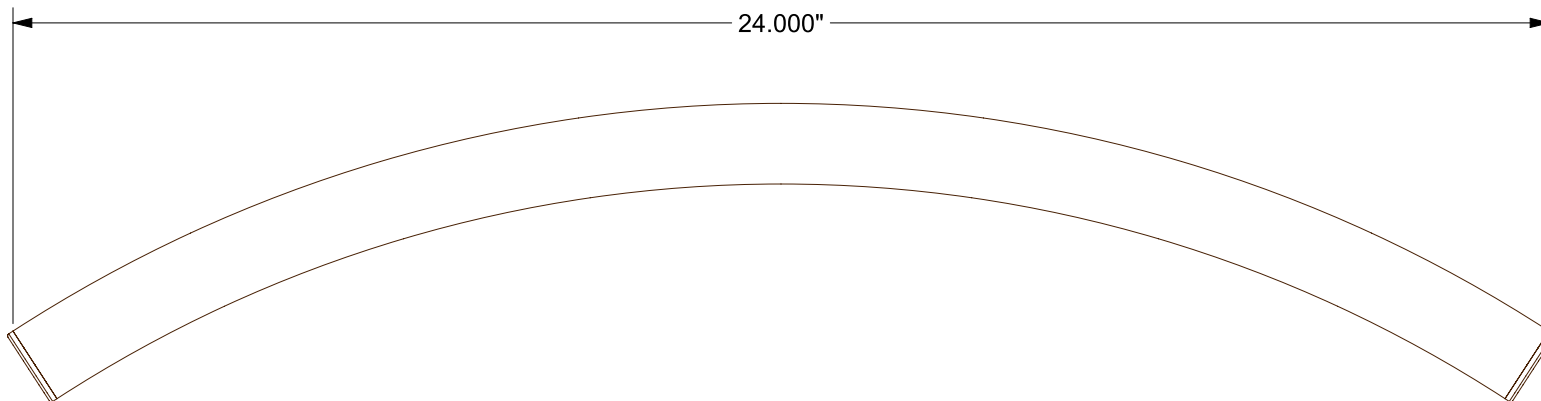
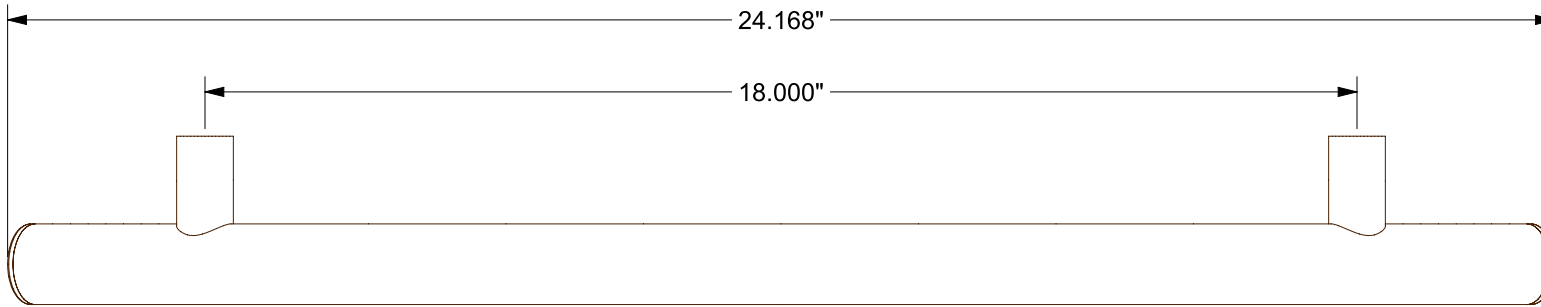


# PART SPECIFICATION SHEET

T201-011 - VICTORIA™ SERIES 24" RADIUS GRAB (CONTEMPORARY CAP)  
 WITH PERMATILE™ INSTALLATION KIT



WEIGHT: 1.624 LB  
 CUBED: 5.309 IN<sup>3</sup>

ERP PART #	A222-241	APPROVALS	DATE
DWG #	436	RLS	8/11/14
SHEET 1 OF 1	SCALE 1:3		

FORM # - ENG4



TilwareProducts, LLC  
 www.tilwareproducts.com  
 Office (828) 322-9273 Fax (828) 304-1076