

PART SPECIFICATION SHEET

PART: A221-242

CODES / STANDARDS COMPLIANCE

ADA
COMPLIANT



VICTORIA™ SERIES

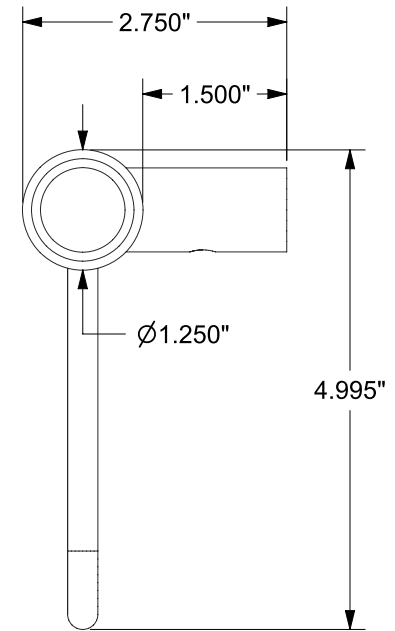
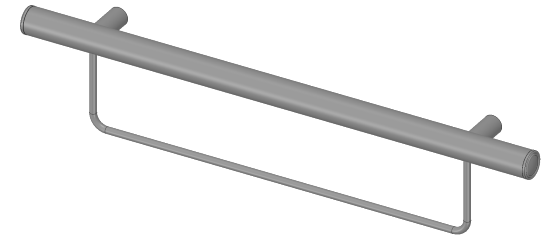
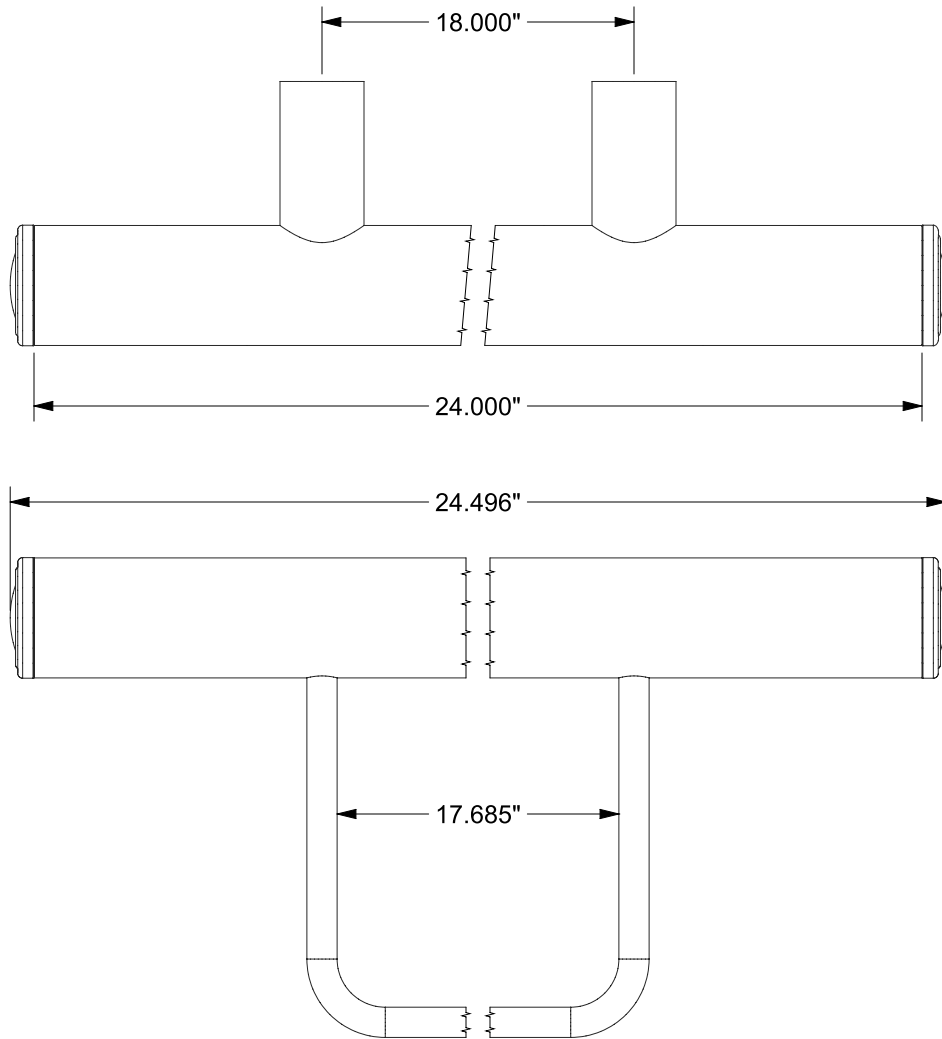
COMBINATION 24" STRAIGHT GRAB BAR (TRADITIONAL)

MEETS OR EXCEEDS THE FOLLOWING AT DATE OF MANUFACTURE:

[ALL INSTALLATION SYSTEMS]

FINISHES: PC, BN, ORB

• ALL APPLICABLE US FEDERAL AND STATE MATERIAL REGULATIONS



TW-ENG4



TileWare Products

www.tilewareproducts.com

Office (828) 322-9273 Fax (828) 304-1076

ERP PART #	A221-242	APPROVALS	DATE
DWG #	435	RLS	8/8/14
SHEET 1 OF 1	SCALE 1:2		
WEIGHT:	2.208 LB	CUBED:	8.386 IN ³