

# PART SPECIFICATION SHEET

**PART: PT100-507**

PERMATILE™ 'ROUGH-IN' FASTENER FOR TILE THICKNESSES FROM - 5/32" TO 1/2" ONLY  
 FASTENERS CONFIGURED SPECIFICALLY FOR TILEWARE ACCESSORIES  
 MORTAR-BASED INSTALLATION SYSTEM - NO MASTIC OR ORGANIC ADHESIVE ALLOWED!  
 REFER TO INSTALLATION INSTRUCTIONS BEFORE USE

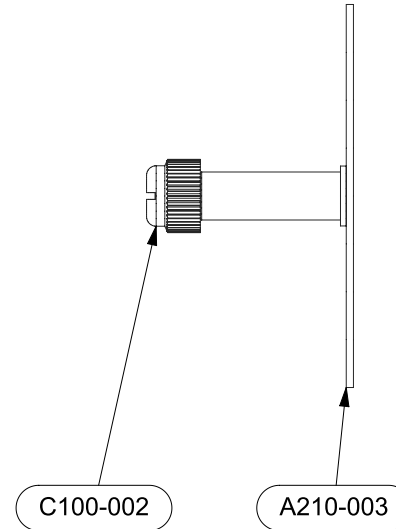
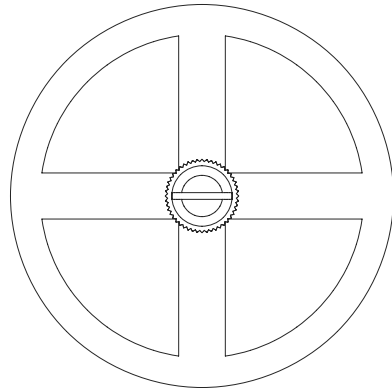
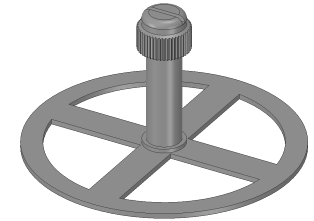
PERMATILE™

'ROUGH-IN' ROUND FASTENER

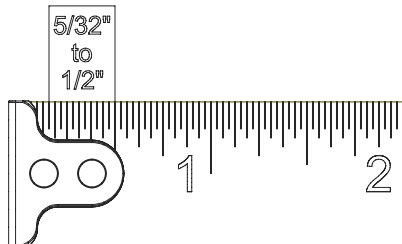
STAINLESS STEEL

COMPATIBLE WITH LISTED MODELS

T101-111
T101-112
T101-211
T101-212
T101-311
T101-312



WORKS WITH ALL MATERIAL THICKNESSES



TW-ENG9



**TileWare Products**  
 www.tilewareproducts.com

ERP PART #	REFERENCED ABOVE	APPROVALS	DATE
DWG #	250	RLS	7/24/14
SHEET 1 OF 1	SCALE 1:1		
WEIGHT:	0.027 LB	CUBED:	0.121 IN <sup>3</sup>

Office (828) 322-9273 Fax (828) 304-1076