

PART SPECIFICATION SHEET

PART: PT100-508

PERMATILE™ 'ROUGH-IN' FASTENER FOR TILE THICKNESSES FROM - 5/32" TO 1/2" ONLY
 FASTENERS CONFIGURED SPECIFICALLY FOR TILEWARE ACCESSORIES
 MORTAR-BASED INSTALLATION SYSTEM - NO MASTIC OR ORGANIC ADHESIVE ALLOWED!
 REFER TO INSTALLATION INSTRUCTIONS BEFORE USE

PERMATILE™

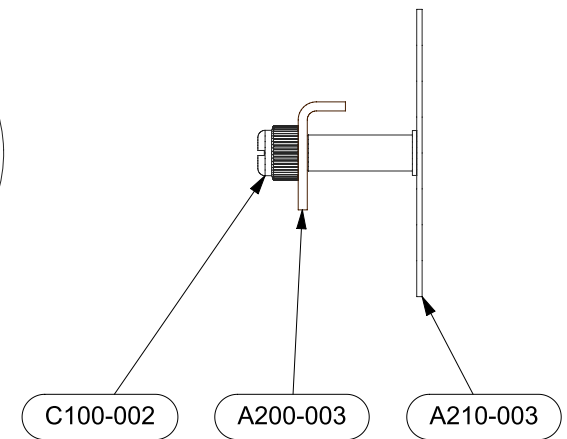
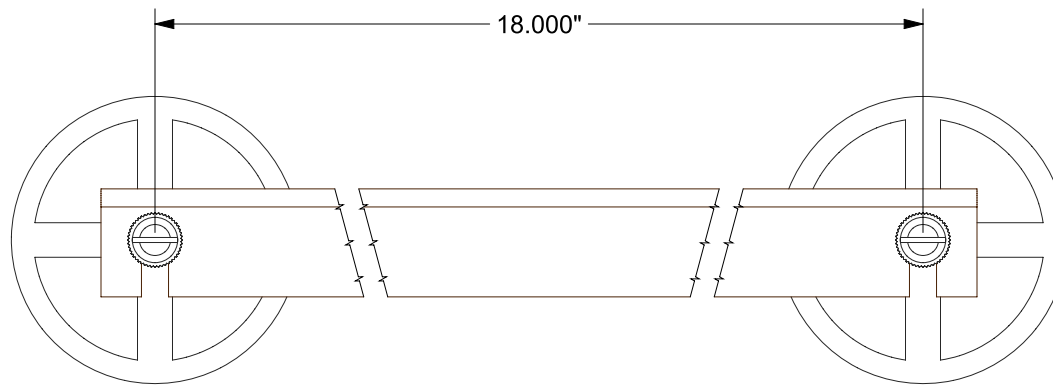
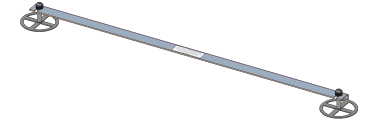
18" 'ROUGH-IN' TOWEL BAR FASTENER

COMPATIBLE WITH LISTED MODELS

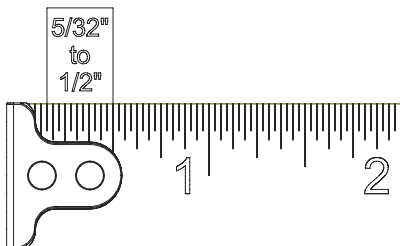
STAINLESS STEEL

T102-011

T102-012



WORKS WITH ALL MATERIAL THICKNESSES



ERP PART #	REFERENCED ABOVE	APPROVALS	DATE
DWG #	249	RLS	7/25/14
SHEET 1 OF 1	SCALE 3:4		
WEIGHT:	0.383 LB	CUBED:	1.382 IN ³

TW-ENG9



TileWare Products
 www.tilewareproducts.com

Office (828) 322-9273 Fax (828) 304-1076