

PART SPECIFICATION SHEET

PART: PT100-509

PERMATILE™ 'ROUGH-IN' FASTENER FOR MATERIAL THICKNESSES FROM - 5/32" TO 7/8" ONLY
 FASTENERS CONFIGURED SPECIFICALLY FOR TILEWARE ACCESSORIES
 MORTAR-BASED INSTALLATION SYSTEM - NO MASTIC OR ORGANIC ADHESIVE ALLOWED!
 REFER TO INSTALLATION INSTRUCTIONS BEFORE USE

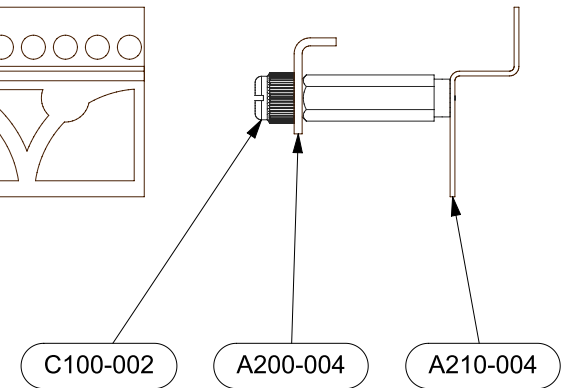
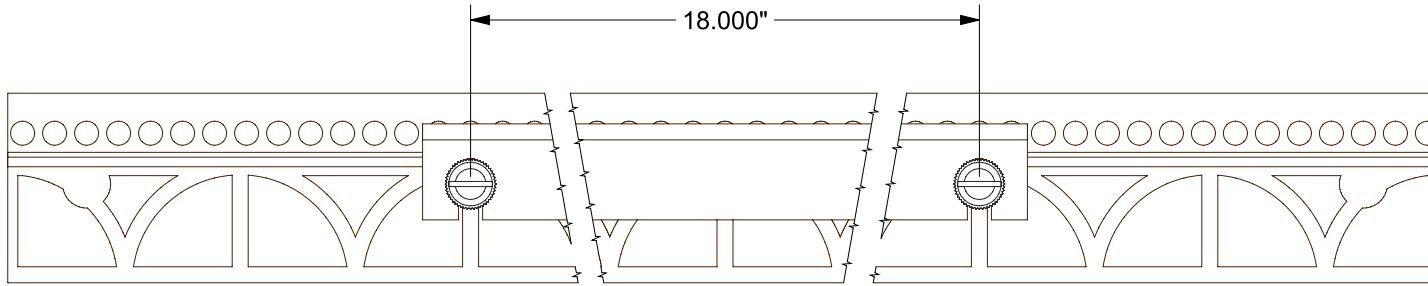
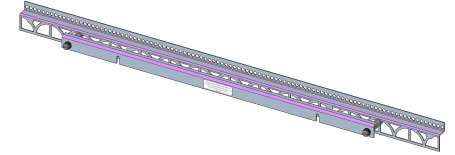
PERMATILE™

'ROUGH-IN' ADA 24" GRAB BAR 'Z' FASTENER

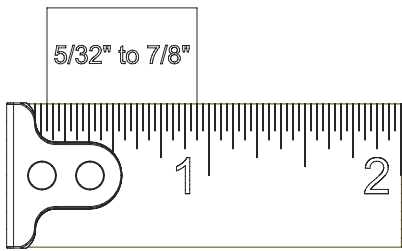
STAINLESS STEEL

COMPATIBLE WITH LISTED MODELS

| |
|----------|
| T200-011 |
| T200-012 |
| T200-021 |
| T200-022 |
| T201-011 |
| T201-012 |
| T201-021 |
| T201-022 |



WORKS WITH ALL MATERIAL THICKNESSES



| | | | |
|--------------|------------------|-----------|-----------------------|
| ERP PART # | REFERENCED ABOVE | APPROVALS | DATE |
| DWG # | 209 | RLS | 7/30/14 |
| SHEET 1 OF 1 | SCALE 2:3 | | |
| WEIGHT: | 0.717 LB | CUBED: | 2.570 IN ³ |

TW-ENG9



TileWare Products
 www.tilewareproducts.com
 Office (828) 322-9273 Fax (828) 304-1076